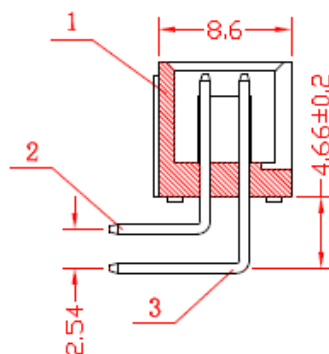
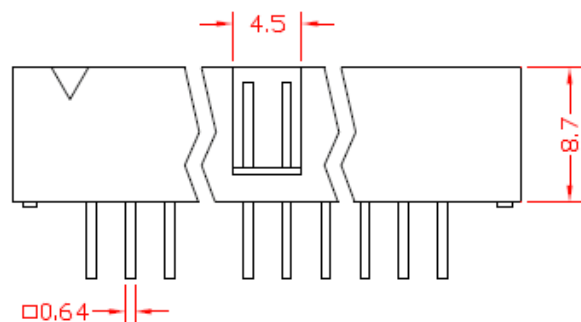


序号/RevNo.	名称/Title	文件编号/File No.
1	118-A塑料件	QJ/XYT-11132
2	118-A端子(短)	QJ/XYT-11120
3	118-A端子(长)	QJ/XYT-11120



**Specifications:**

Contact Resistance: 30mΩ max.at DC 100 mA

Insulator Resistance: 1000MΩmin.at DC 500V

Current Rating: 1AMP

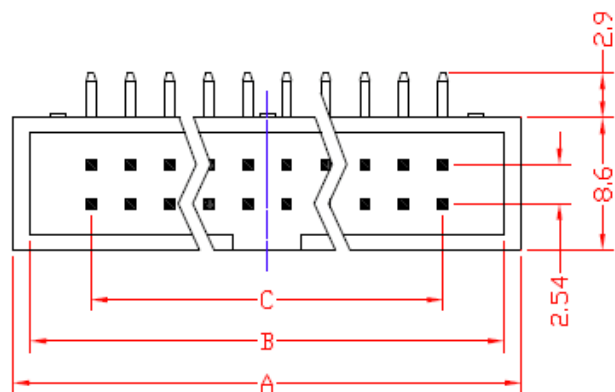
**Dielectric Withstanding**

Voltage: AC 1000V For 1 minute

Operating Temperature: -55°C- +105°C

Contact: Brass

Housing: PBT &30% Glass Fiber(UL 94V-0)



Position	A	B	C
10	20.30	18.10	10.16
12	22.84	20.64	12.70
14	25.38	23.18	15.24
16	27.92	25.72	17.78
20	33.00	30.80	22.86
26	40.62	38.42	30.48
30	45.70	43.50	35.56
34	50.78	48.58	40.64
40	58.40	56.20	48.26
50	71.10	68.90	60.96
60	83.80	81.60	73.66
64	88.88	86.68	78.74

设计/Designed by	绘图/Drawing by	审核/Checked by	批准/Approved by	未注公差 General Tolerance	
 <b>新亚联合科技</b> XINYA UNITED TECH CO.,LTD.				图名/Title	文件编号/File No.
				118-A弯针	QJ/XYT-12047
备注/Remark				页序/Sheet	单位/Units: MM

序号/RevNo.	更改记录/Revision note	签名/Signature	日期/Date