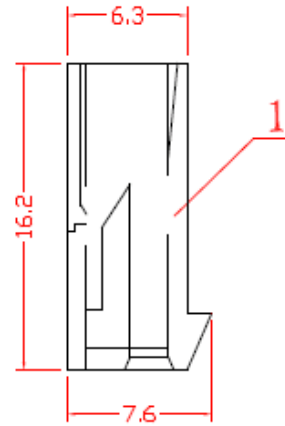
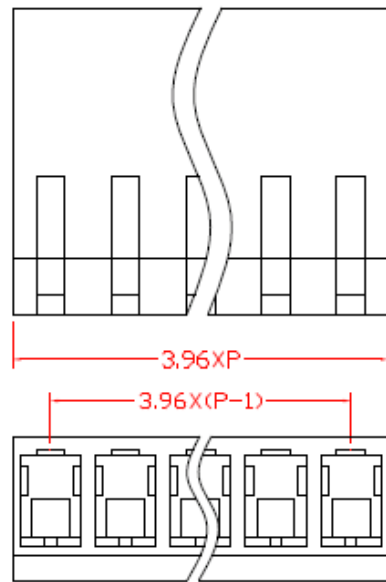


序号/Revno.	名称/Title	文件编号/File No.
1	134(3.96)F塑料件	QJ/XYT-11153
2	134F端子	QJ/XYT-11156

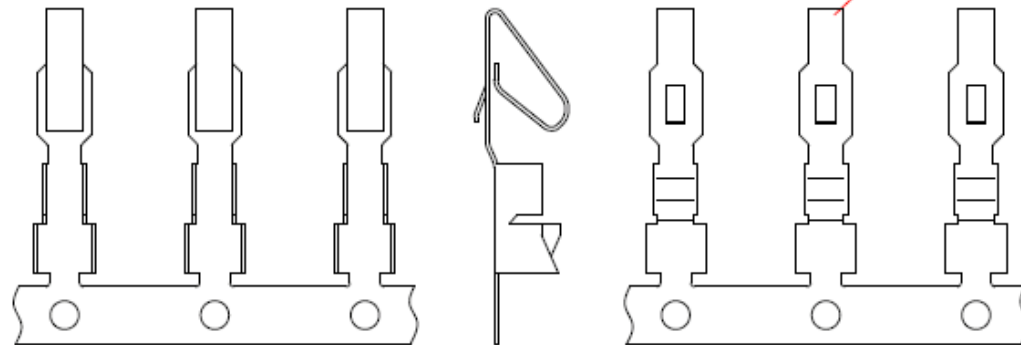


Specifications:

Contact Resistance: 30mΩ max.at DC 100 mA
 Insulator resistance: 1000MΩ min.at DC 500V

Dielectric Withstanding

Voltage: AC 500V For 1 minute
 Operating Temperature:-55°C--+105°C
 Contact: Phosphor Bronze
 Housing: Nylon 66(UL 94V-0)



设计/Designed by	绘图/Drawing by	审核/Checked by	批准/Approved by	未注公差 General Tolerance	
				x, ±0.2	x' ±2*
				.x ±0.1	.x' ±1*
				.xx ±0.05	.xx' ±0.5*
				.xxx ±0.01	
 新亚联合科技 XINYA UNITED TECH CO.,LTD.		图名/Title	文件编号/File No.		
		134(3.96)F 产品图	QJ/XYT-12074		
		备注/Remark	页序/Sheet	单位/Units: mm	

序号/Revno.	更改记录/Revision note	签名/Signature	日期/Date