

序号/revno.	名称/Title	文件编号/File No.
1	134(3.96)M塑料	QJ/XYT-11152
2	件134M端子(直)	QJ/XYT-11154

Specifications:

Contact Resistance: 30mΩ max.at DC 100 mA

Insulator resistance: 1000MΩ min.at DC 500V

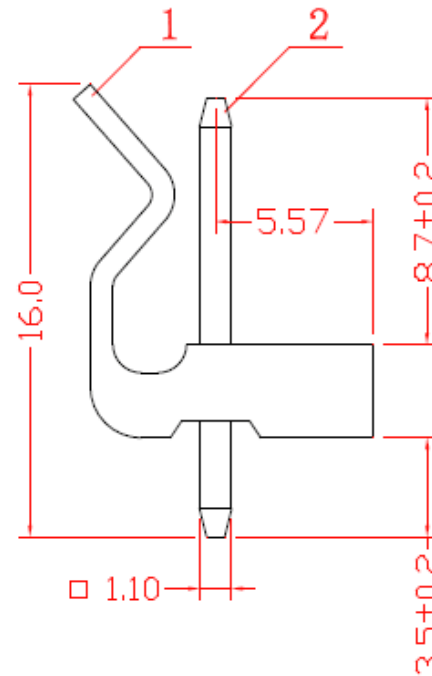
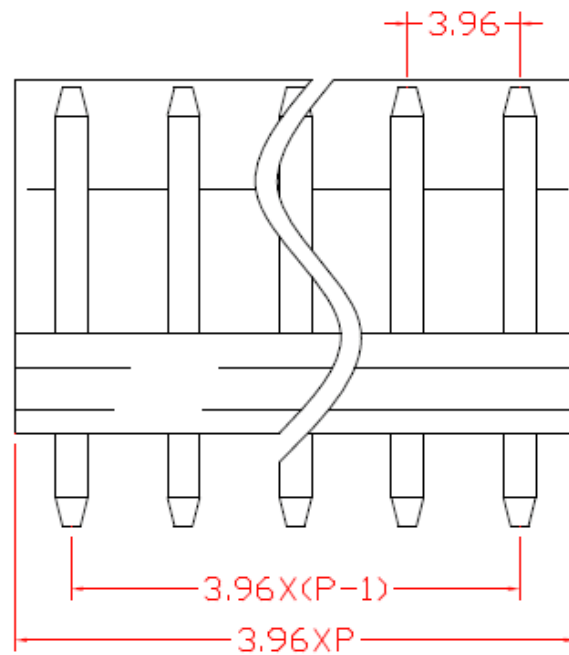
Dielectric Withstanding

Voltage: AC 500V For 1 minute

Operating Temperature: -55°C--+105°C

Contact: Brass

Housing: Nylon 66(UL 94V-0)



要求:

1. 塑料件无裂痕。
2. 整排端子成一直线，相邻端子之间相互平行。

设计/Designed by	绘图/Drawing by	审核/Checked by	批准/Approved by	未注公差 General Tolerance	
				x. =0.2	x.* =2*
				.x =0.1	.x* =1*
				.xx =0.05	.xx* =0.5*
				.xxx =0.01	
 新亚联合科技 XINYA UNITED TECH CO.,LTD.				图名/Title	
				134(3.96)M 直针产品图	
				文件编号/File no.	
				QJ/XYT-12072	
				页序/Sheet	
备注/Remark				单位/Units: mm	