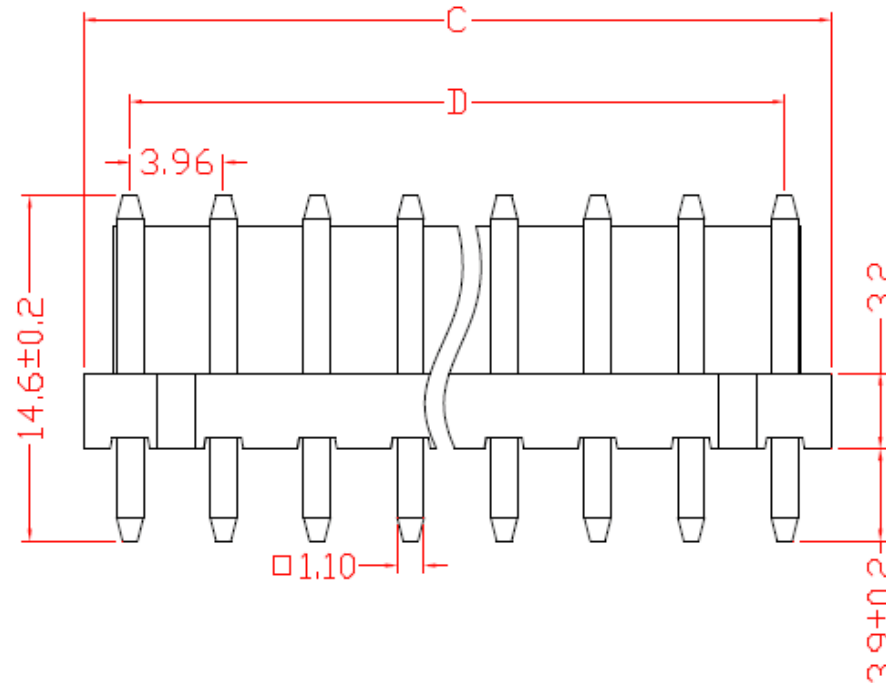
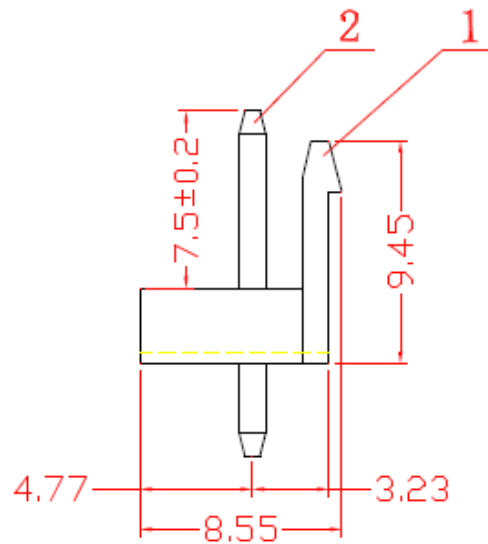


序号/RevNo.	名称/Title	文件编号/File No.
1	135M塑料件	QJ/XYT-11159
2	135M端子(直)	QJ/XYT-11161



Specifications:

Contact Resistance: 30mΩ max.at DC 100 mA
Insulator resistance: 1000MΩ min.at DC 500V

Dielectric Withstanding

Voltage: AC 500V For 1 minute
Operating Temperature: -55°C--+105°C
Contact: Brass
Housing: Nylon 66(UL 94V-0)

Position	C	D
2	7.92	3.96
3	11.88	7.92
4	15.84	11.88
5	19.8	15.84
6	23.76	19.8
7	27.72	23.76
8	31.68	27.72
9	35.64	31.68
10	39.6	35.64
11	43.56	39.6
12	47.52	43.56
13	51.48	47.52

要求:

1. 塑料件无裂痕。
2. 整排端子成一直线，相邻端子之间相互平行。

设计/Designed by	绘图/Drawing by	审核/Checked by	批准/Approved by	未注公差 General Tolerance	
 新亚联合科技 XINYA UNITED TECH CO.,LTD.				图名/Title	文件编号/File No.
				135M直针产品图	QJ/XYT-12078
				页序/Sheet	
备注/Remark				.x. ±0.2	x.' ±2*
				.x ±0.1	.x' ±1*
				.xx ±0.05	.xx' ±0.5*
				.xxx ±0.01	
				单位/Units: mm	