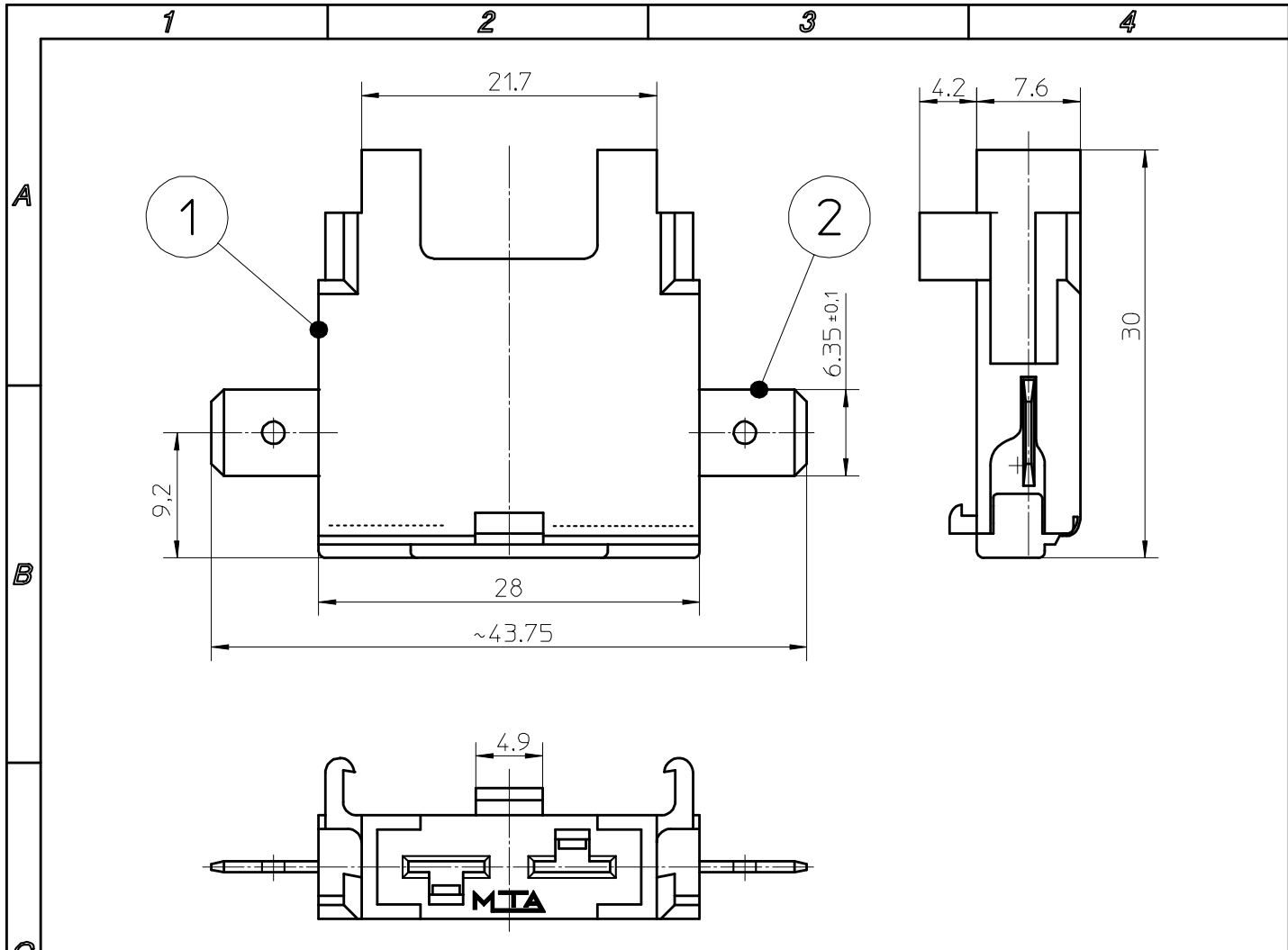


All proprietary rights reserved by MECCANOTECNICA CODOGNESE S.p.A. - This drawing shall not be reproduced, or in any way utilized, for the manufacture of the component or unit herein illustrated and must not be released to other parties, without written consent. Any infringement will be legally pursued.



Pos.	Q.ty	DENOMINATION	MATERIAL
2	2	TERMINAL	Cu Zn 33
1	1	HOUSING	PA 66 HB

03.00343	BLACK	50	-40 / +120	21
03.00341	NATURAL			
REF. MTA	COLOR	V MAX (V)	T min - T max (°C)	I Continuous (A)



MTA P/N		03.00341			Denom. FUSEHOLDERS "IN-LINE"						
Draw No.		B0-001.003A			Used for FUSES STRIP						
Rel. Level		APPROVED		Draw for		CLIENT		Family FUSEHOLDERS		ONEWAY	
Date	Name	Scale	Weight(g)	Lin.Tol.*	Ang.Tol.*	Material			Thick.	Width	
Draft	05/01/1996	L. BASSI	2:1	0.5	2	SEE TABLE					
Chk	05/01/1996	L. BASSI				Coating			SEE TABLE		
PQApp	30/11/2004	R.GONZALEZ				Color			SEE TABLE		
App.	30/11/2004	M.CORBANI				Sheet			1/1		

3	OPERATING FEATURES UPDATED				
No.	Reason for Revision	Date	25/11/2004	Name	A. CAPELLI