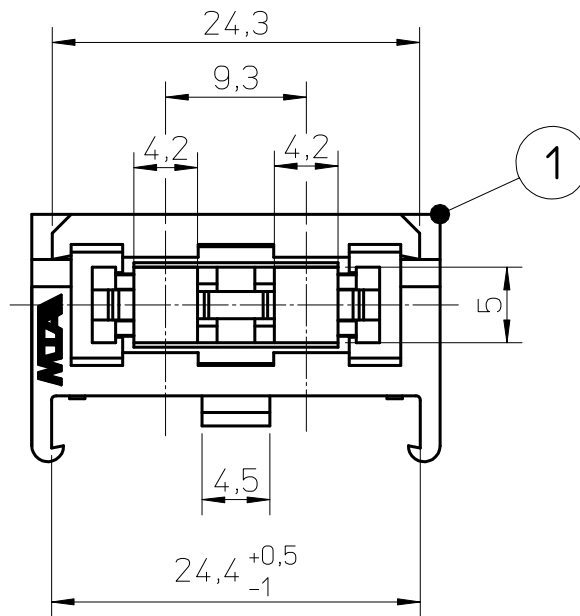
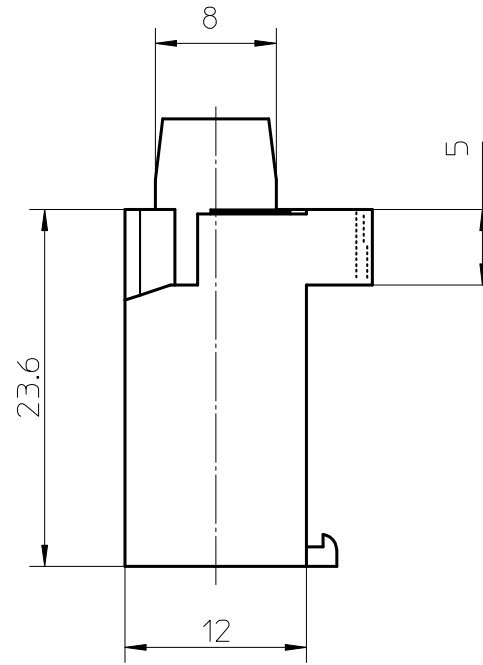
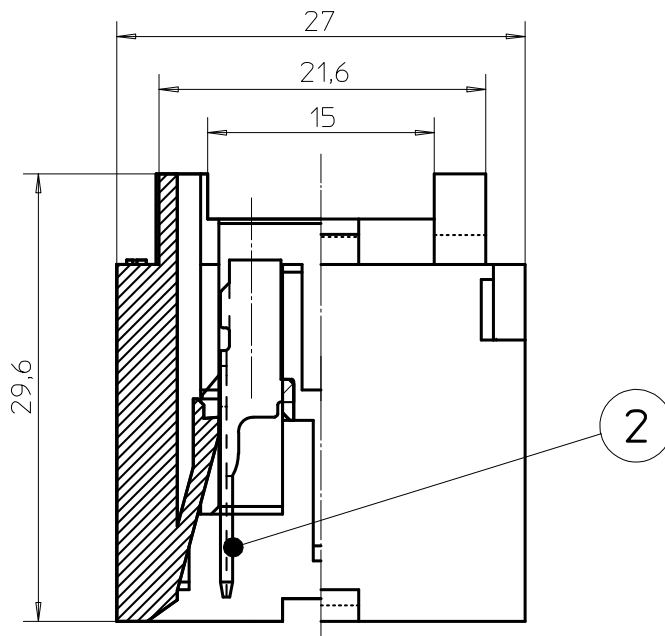


All proprietary rights reserved by MTA S.p.A. - This drawing shall not be reproduced, or in any way utilized, for the manufacture of the component or unit herein illustrated and must not be released to other parties, without written consent. Any infringement will be legally pursued.



3			
2			
1	MODIFY ENGAGEMENT TOOTH FOR MOOD REVISION	27.01.2010	A.VISIGALLI
REV	DESCRIPTION	DATE	NAME

UNCONTROLLED COPY
 in case of drawing updating/revision
 NO AUTOMATIC
 resubmission will follow

OPERATING FEATURES		
FEATURE	UNIT	VALUE
V max	V	32
T. min - T. max	°C	-40 / +100
IP	IEC 529	20
I Continuous	A	20

2	2	TERMINAL	CuSn - Tin Plated							
1	1	BODY	PA 66 - BLACK COLOR							
Pos.	Q.ty	DENOMINATION	MATERIAL							
		MTA P/N	0300351/10	Denom. FUSEHOLDER UNIVAL W/TERMINAL						
		Draw No.	B0-100.C09A	Used for						
Rel. Level	APPROVED	Draw for	CLIENT	Relevant Standard						
	Date	Name	Scale	Weight(g)	Lin.Tol.±	Ang.Tol.±	Material	SEE TABLE	Thick.	Width
Draft.	15/11/2004	S.BEDUSCHI	2:1		0.5	1	Coating	SEE TABLE		
Chk	31/01/2012	E.UGGERI					Color	SEE TABLE		
PQApp	31/01/12	M.ROSSI	A3	Dimensions in (mm)		Sheet	1/1			
App.	31/01/12	M.CORBANI								

2	TOLERANCE ADDED ON DIMENSION 24.4mm				
No.	Reason for Revision	Date	31/01/2012	Name	E.UGGERI