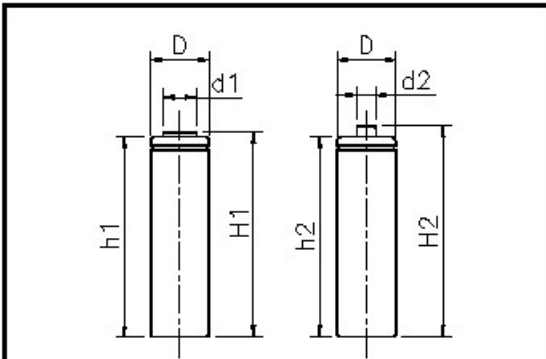


JJJ Battery Co.,LTD.

MODEL No: J-AA2200

Description: 2200 mAh SIZE NI-MH AA

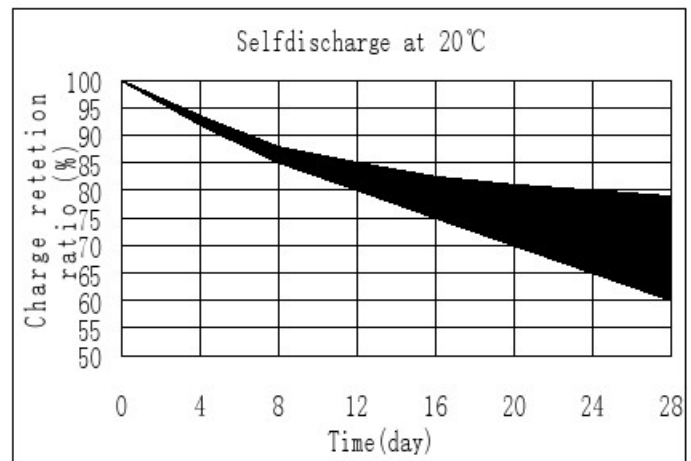
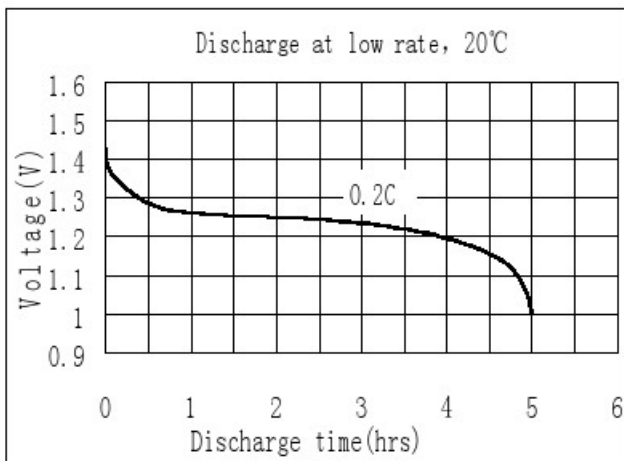
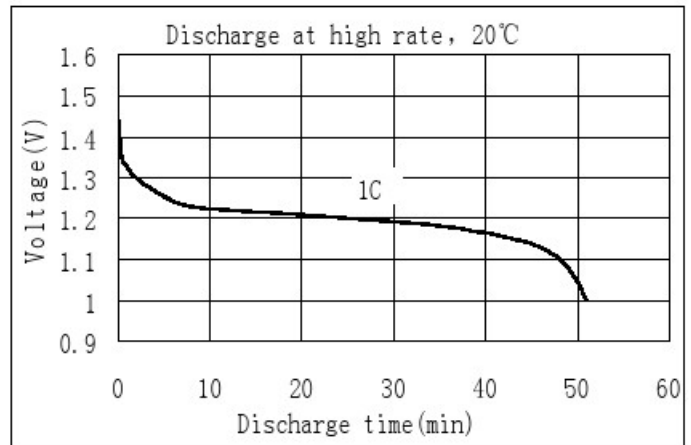
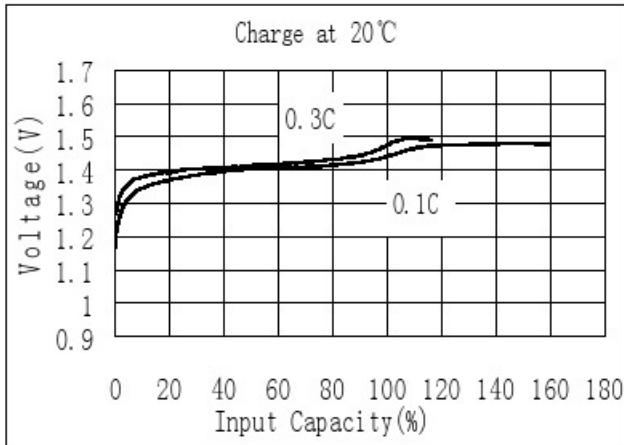


Dimensions(without Tube) (mm)

D	14.20±0.10		
d1	7.00±0.08	d2	4.75±0.08
H1	49.20±0.50	H2	50.00±0.50
h1	48.50±0.50	h2	48.50±0.50

Specification

Nominal Capacity		2200 mAh
Nominal Voltage		1.2 V
Charge current	Standard	220 mA
	Fast	660 mA
Charge time	Standard	14~16 Hrs
	Fast	4 Hrs
Ambient Temperature	Charge	Standard: 0°C~45°C Fast: 10°C~45°C
	Discharge	-20°C~60°C
	Storage	-20°C~55°C
Internal Impedance(mΩ) (After Charge)		≤ 35
Weight		29.0 g



JJJ reserves the right to alter or amend the design, model and specification without prior notice.

JIANGMEN JJJ BATTERY CO.,LTD.