

## Thermostat KSD301



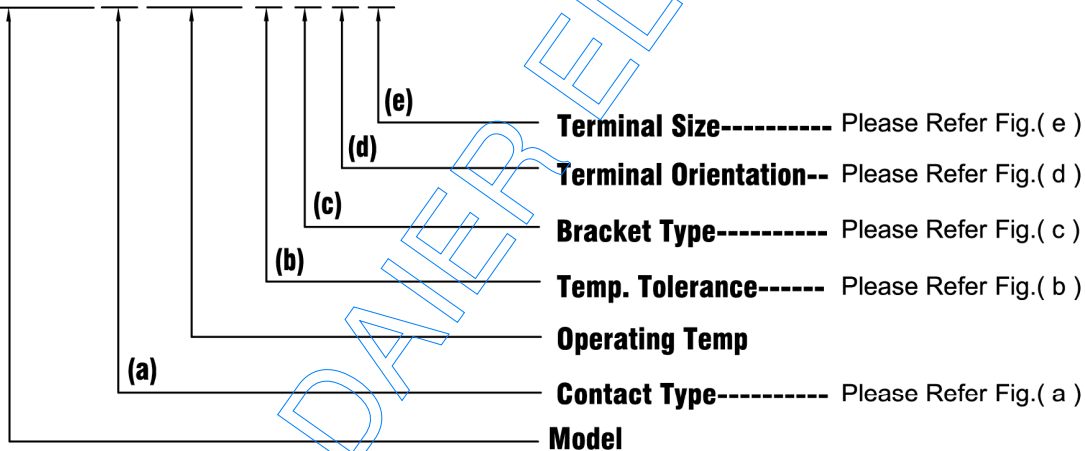
### SPECIFICATION

- Electrical Rating : 16A 125V AC (Resistive Load)  
10A 250V AC (Resistive Load)  
16A 250V AC (Resistive Load)
- Operating Temp : 50 ~ 175°C (UL-CUL 205°C)
- Differential : 10~30K (15K Standard)
- Temp. Tolerance : Operating Temp.±3K±5K
- Heat Durability : 220°C Max. (PPS)
- Circuit Resistance : 50mΩ Max.
- Insulation Resistance : 100MΩ Min.at DC500V
- Dielectric Strength : AC 1000V for One Minute.  
or AC 1800V for One Second.
- Operating Life : 100000 Cycles (16A 125V/10A 250V AC)  
10000 Cycles (16A 250V AC)

### HOW TO ORDER

#### MODEL CODE (FULL CODE)

**KSD301 A 1 1 0 B C F 2**



#### (a) CONTACT TYPE :

A = Contact Opens When Temperature Rises to Set Point (Normally Closed)



B = Contact Closes When Temperature Rises to Set Point (Normally Open)



M = Manual Reset

#### (b) TEMP. TOLERANCE : (\*=STANDARD)

Grade	A	*B
Action ± °C	3	5
Reset ± °C	4	8

• The Grade of Temp. Tolerance is "A", When The Operating Temp. is Less Than 105°C.

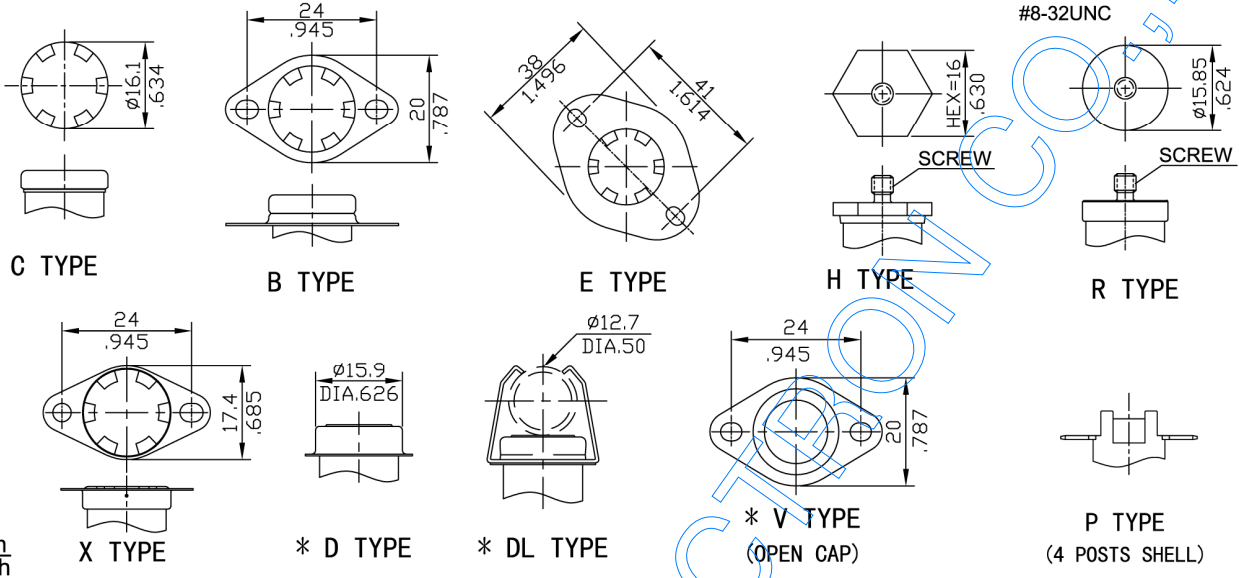
• The Grade of Temp. Tolerance is "B", When The Operating Temp. is Over 106°C.

(c) BRACKET TYPE :

● FIXED BRACKET

\* STAINLESS STEEL CAP : D,DL,V,T TYPE

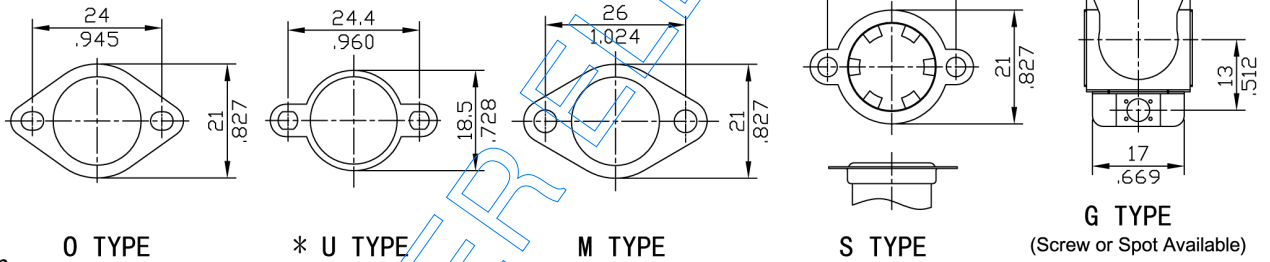
SCREW TYPE : M4x0.7 L:6mm (STD)  
M5x0.8 L:6mm (STD)  
#6-32UNC  
#8-32UNC



mm  
inch

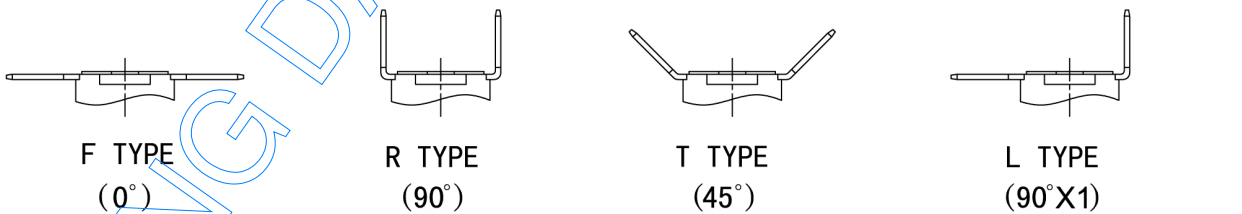
● LOOSE BRACKET

\* STAINLESS STEEL CAP : U TYPE

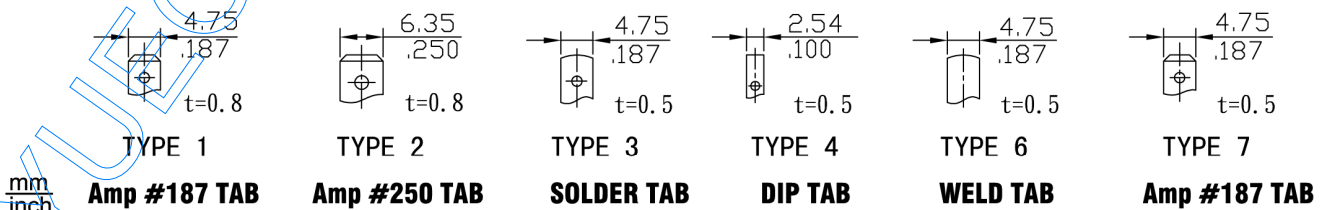


mm  
inch

(d) TERMINAL ORIENTATION:



(e) TERMINAL SIZE:



mm  
inch

**Amp #187 TAB**

**Amp #250 TAB**

**SOLDER TAB**

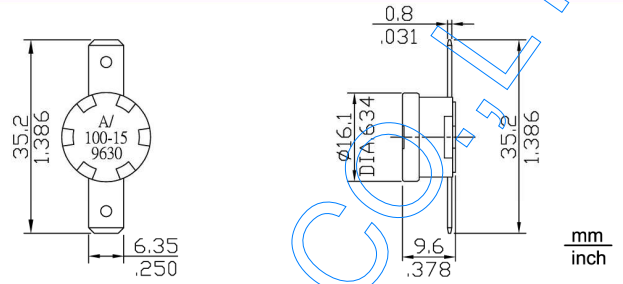
**DIP TAB**

**WELD TAB**

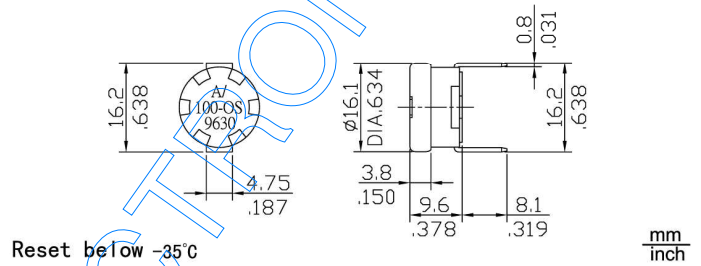
**Amp #187 TAB**

# Thermostat KSD301

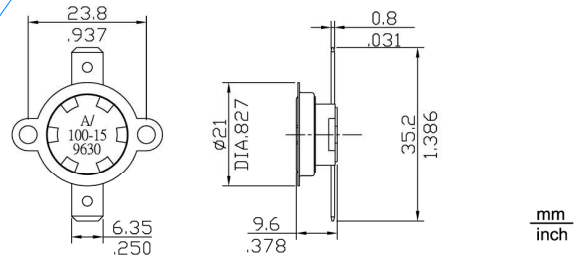
## KSD301A-CF2



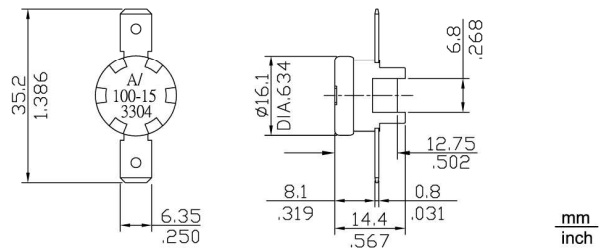
## KSD301A-CR1-OS(ONE SHOT)



## KSD301A-SF2(LOOSE BRACKET)



## KSD301A-PF2(4-POST)



## KSD301A-XF2(FIX BRACKET)

