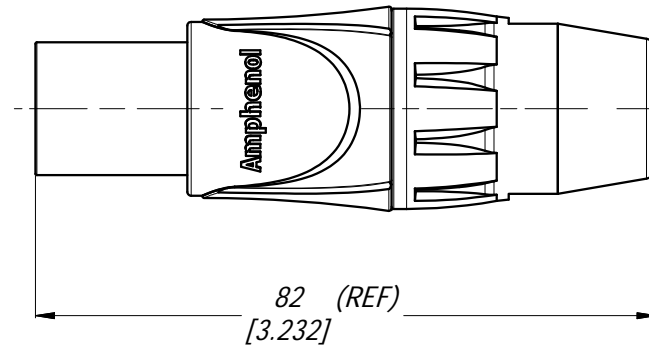


3D VIEW
1:1



UL CERTIFICATE 20140623-E339831

UNLESS OTHERWISE SPECIFIED TOLERANCE TO BE		THIS DOCUMENT IS THE PROPERTY OF AMPHENOL AUSTRALIA PTY. LTD. NO PART THEREOF MAY BE REPRODUCED AND USED WITHOUT THE PRIOR WRITTEN CONSENT OF THE OWNER.				Amphenol Amphenol Australia Pty.Ltd, 22 Industry Blvd Carrum Downs, VIC 3201	
LINEAR	ANGULAR	MATERIAL:	DRN: T.N	DATE: 21/01/14	TITLE: CONNECTOR PLUG		PART No: HP-3-F
X ±	X' ±	BREAK ALL SHARP EDGES AND REMOVE ALL BURRS	CKD: P.M	DATE: 22/01/14	POWER IN - BLUE		REV 1
X.X ±	X.X' ±		APP'D: P.M	DATE: 22/01/14	CUSTOMER DWG		DRAWING No. 55010925-000
X.XX ±	X.XX' ±		SCALE: 1:1	SIZE: A4			SHEET 2/2
DO NOT SCALE		FINISH:	THIRD ANGLE PROJECTION				
DIMENSIONS IN MILLIMETRES							