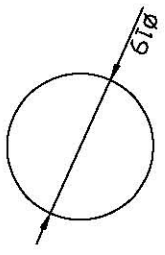
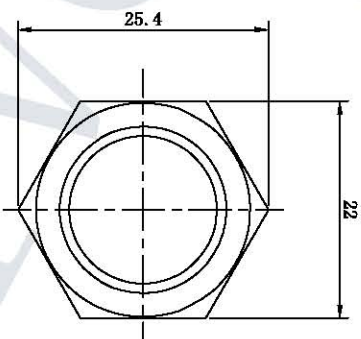
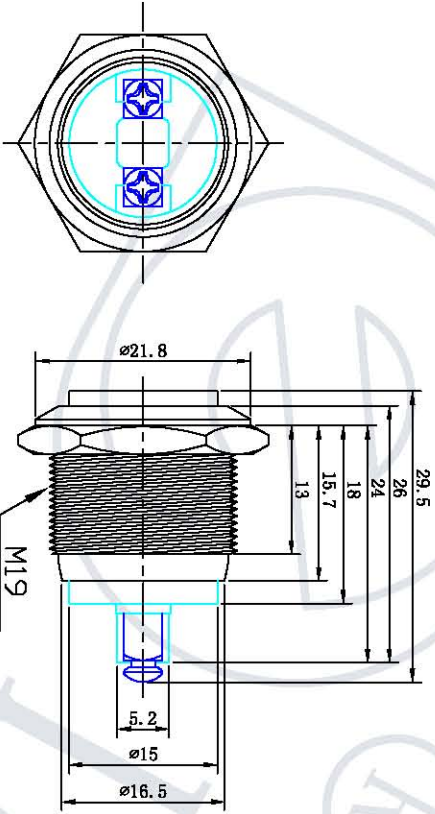
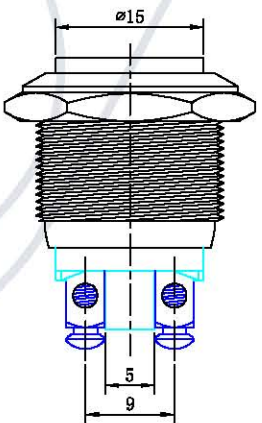
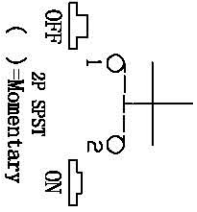


4-B8B-2-PBS



安装面板
PANEL CUT-OUT



MATERIALS

1. Button:Stainless Steel/Copper plating chrome/Aluminum plating
2. Bushing & Bezel:Stainless Steel/Copper plating chrome/Aluminum plating
3. Base:PC
4. Contact :Silver contact
5. Nut :Nickel plated brass

SPECIFICATIONS

1	Contact Rating:5A @ 250V
2	Electrical Life:50, 000cycles
3	Contact Resistance:50m-ohms max(initial)
4	Insulation Resistance:1, 000M-ohms min @ 500VDC
5	Dielectric Strength:2, 000V RMS 50 ~60Hz
6	Operating Temperature:-20° C ~+55° C
7	Switch function :INO Momentary
8	IP Class:IP65 Protection
9	Torque:5~14Nm max.applied to nut
10	Operating Force:5N max

标记	处数	分区	更改文件号	签字	日期
设计			标准化		
校对					
审核			批准		
工艺					

按钮开关			
阶段标记	数量	重量	比例
	1		1:5:1
Push Button Switch			
PBS-28B-4			

Yueqing Daler Electron co., Ltd.
Yueqing Daler Electron co., Ltd.
Push Button Switch
PBS-28B-4

