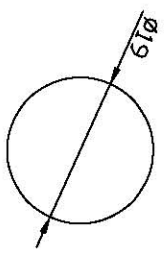
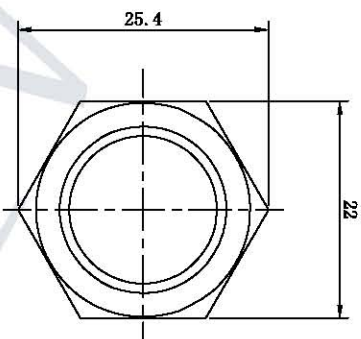
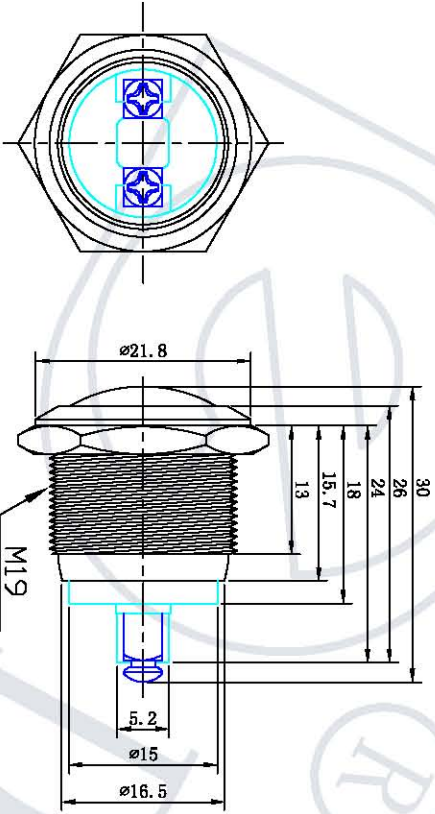
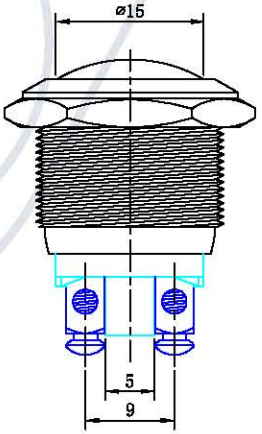
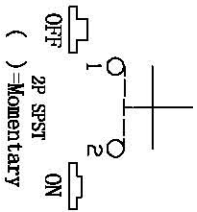


B82-PBS



安装面板  
PANEL CUT-OUT



**MATERIALS**

1. Button:Stainless Steel/Copper plating chrome/Aluminum plating
2. Bushing & Bezel:Stainless Steel/Copper plating chrome/Aluminum plating
3. Base:PC
4. Contact :Silver contact
5. Nut :Nickel plated brass

**SPECIFICATIONS**

1	Contact Rating:5A @ 250V
2	Electrical Life:50, 000cycles
3	Contact Resistance:50m-ohms max(initial)
4	Insulation Resistance:1, 000M-ohms min @ 500VDC
5	Dielectric Strength:2, 000V RMS 50 ~60Hz
6	Operating Temperature:-20° C ~+55° C
7	Switch function :INO Momentary
8	IP Class:IP65 Protection
9	Torque:5~14Nm max.applied to nut
10	Operating Force:5N max

<p style="text-align: center;"><b>按钮开关</b></p> <p style="text-align: center;">Yueqing Dater Electron co., Ltd</p> <p style="text-align: center;">Push Button Switch</p> <p style="text-align: center;">PBS-28B</p>		阶段标记	数量	重量	比例
		1	1		1:5:1
设计	校核	审核	工艺	批准	

借 (通) 用件登记	
插图	
插校	
旧底图总号	
底图总号	
签字	
日期	