



Industrial & Electrical Components

General Purpose Power Relay

Part No.

NNC68BZL-4Z



- General purpose power relay
- For plug-in socket,35mm DIN rail
- With Rotary Lock Mechanism
- LED indication

CONTACT

Contact Form	4A,4B,4C
Contact Material	AgSnO2
Contact Resistance (6VDC,1A)	Max.: 100 mΩ
Rating	
Resistive load (cosφ=1)	5A 240VAC/28VDC
Max. Switching Voltage	240VAC/28VDC
Max. Switching Current	5A
Expected life	
Mechanical	1×10 ⁷
Electrical	1×10 ⁵

CHARACTERISTICS

Operate Time	20m sec. Max.	
Release Time	20m sec. Max.	
Dielectric strength(Leakage current 1mA)		
Between Coil & Contact	1500VAC (50/60Hz) for 1 min.	
Between Contacts	1000VAC (50/60Hz) for 1 min.	
Insulation Resistance		
Between Contacts	100MΩ	
Between Coil & Contact	100MΩ	
Vibration Resistance	Endurance	10 to 55Hz, 1.0 mm D.A.
	Error Operatio	10 to 55Hz, 1.0 mm D.A.
Ambient temperature	-40℃ ~ +85℃	
Unit weight	40g	

ORDERING INFORMATION

e.g

NNC68BZL - 4C - 12D

①

②

③

① Part No.: Z=With Rotary Lock Mechanism

L = LED indication

② Contact Form:

4C=4C/O;

③ Coil Voltage: 12D=12VDC

COIL DATA (at 20°C)

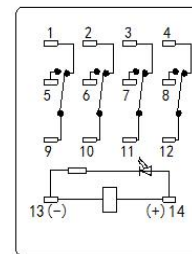
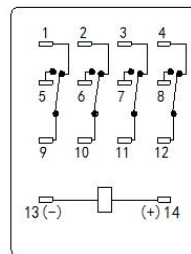
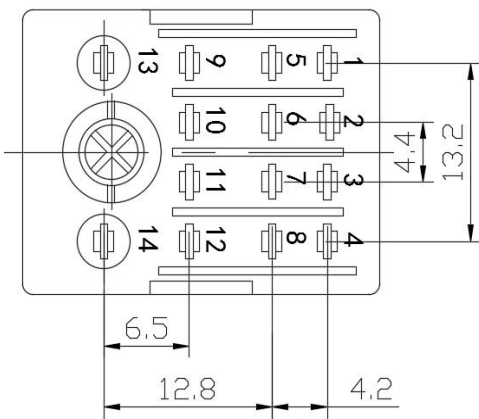
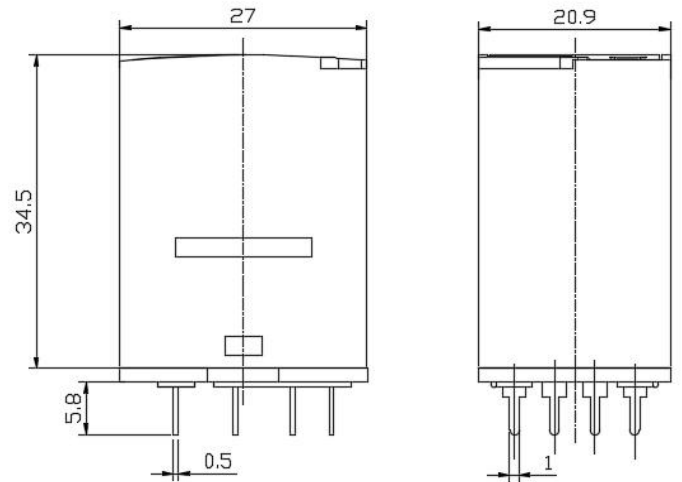
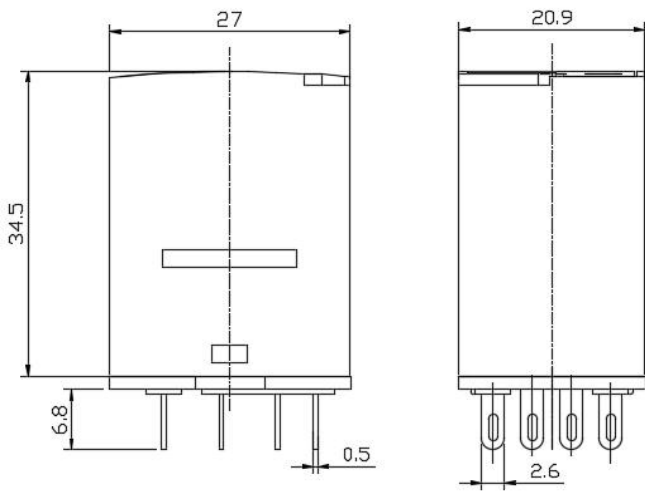
Rated Voltage	Pick-up Voltage VDC (Max)	Drop-out Voltage VDC (Min)	Coil Resistance (Ω) ± 10%	Coil power	Max.Allowable Coil Voltage (VDC) at 23 °C
12VDC	9.00	1.20	160.00	0.9W	Rated voltage X110%
24VDC	18.00	2.40	640.00		
48VDC	36.00	4.80	2560.00		
110VDC	82.50	11.00	13400.00		
12VAC	9.60	3.60	42.00	1.2VA	
24VAC	19.20	7.20	168.00		
48VAC	38.40	14.40	672.00		
110VAC	88.00	33.00	3529.00		
220VAC	176.00	66.00	18021.00	0.94	

DIMENSIONS

Unit: mm

4PDT(Plug-in version)

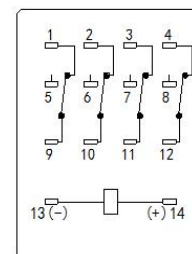
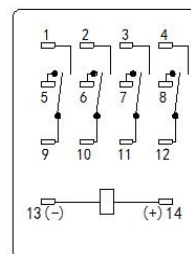
4PDT(PCB version)



With LED

4Z

4Z(带灯)



4H

4D