



Solid State Relay

Part No.

**HHG1-0
(SSR-DD)**



CHARACTERISTICS

Controlling Voltage	5-32VDC
Controlling Current	6-25mA
Make-on Voltage	5VDC
Break-off Voltage	1VDC
Reverse Voltage	32VDC
Load Voltage	12-250VDC
Load Current	10 A, 15A, 20A, 25A, 30A, 40A.
Instant Voltage	400VDC
Voltage Drop in On	<1.2VDC

On-off Time	≤5mS
Leakage Current in off	≤5mA
Dielectric Strength	≥2500VAC
Insulation Resistance	500M Ω (at 500VDC)
Ambient Temp.	-30~80℃
Weight	10A~110g, 20A~140g, 40A~145g
Indicate Methods	Led
Dimensions	57.2x43.5x29(LxWxH)mm
Wirinin Diagram	See Page-2

ORDERING INFORMATION

e.g

HHG1-0 / 032F-20 10A

① ② ③ ④

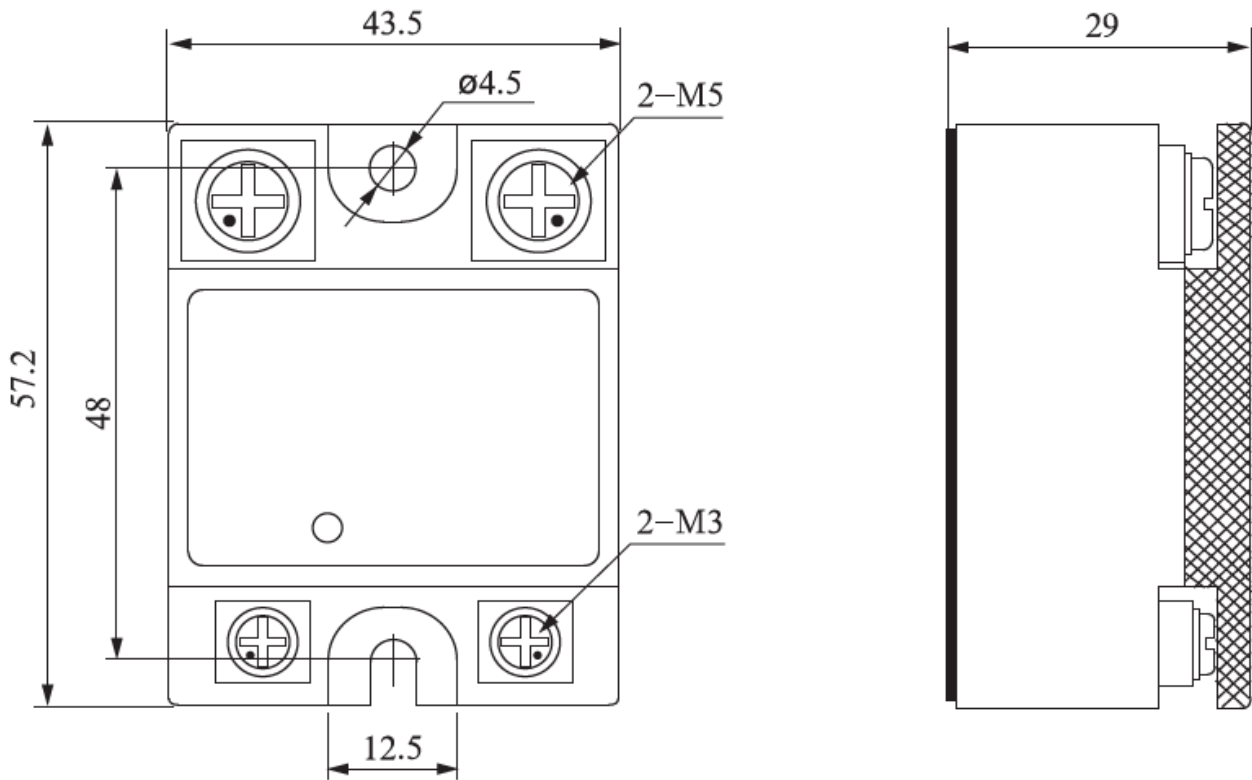
① Series: HHG1-0 series(SSR-DD)

② Controlling Voltage: 032: 5-32VDC.

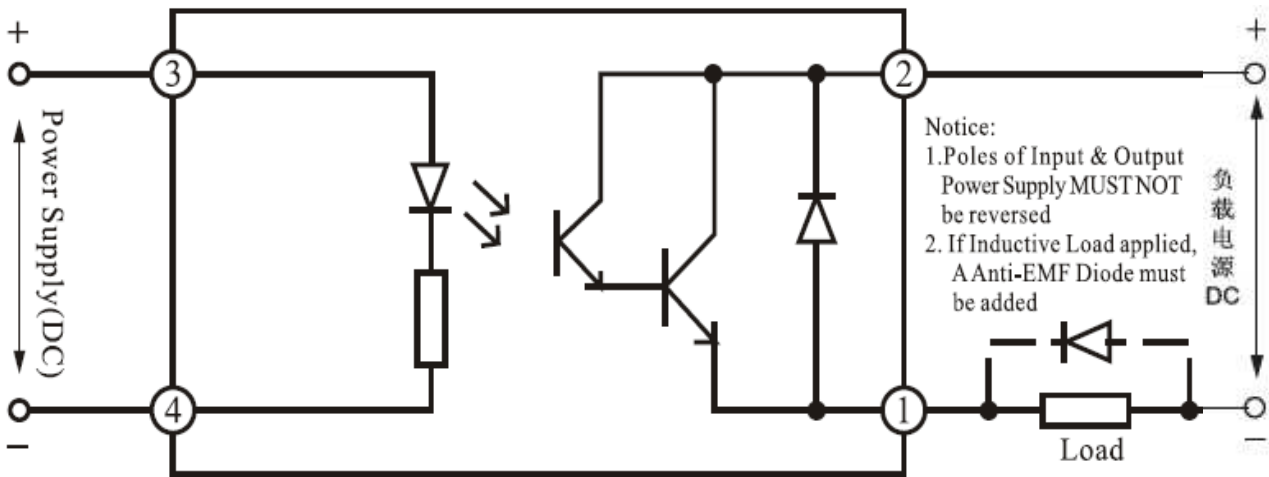
③ Load Voltage : 20: 12-250VDC.

④ Load current : 10 A, 15A, 20A, 25A, 30A, 40A.

DIMENSIONS (Unit: mm)



WIRING DIAGRAM:



Remarks:

1. Both of Input power and Output power must be DC Voltage.
2. Please make correct polarity connection for input and output power.
3. Inductive load must be connected with back electromotive force to suck up the diode.
4. If the SSR with load above 10Amps, it must be mounted onto heat sink.