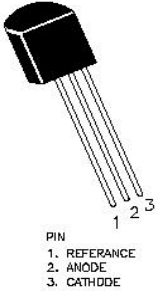


PROGRAMMABLE SHUNT REGULATOR**TL431****TO-92
Plastic Package**

Three Terminal Adjustable Regulator series with a Guaranteed Thermal Stability over Applicable Temperature Ranges

ABSOLUTE MAXIMUM RATINGS (T_a=25°C)

DESCRIPTION	SYMBOL	MIN	MAX	UNITS
Cathode Voltage	V _{KA}		37	V
Cathode Current Range Continuous	I _{KA}	-100	150	mA
Reference Input Current Range	I _{REF}	0.05	10	mA
Power Dissipation	P _D		700	mW
Operating Temperature Range	T _{OPR}	0	70	°C
Storage Temperature Range	T _{stg}	-65	150	°C

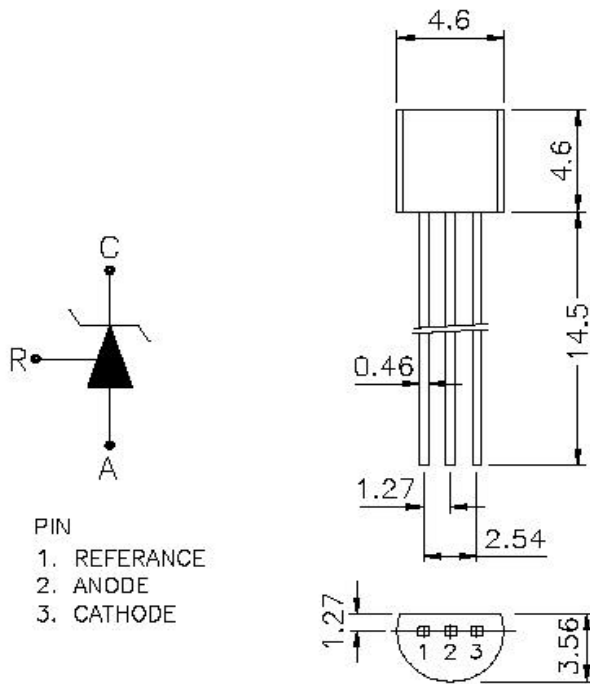
ELECTRICAL CHARACTERISTICS (T_a=25°C unless specified otherwise)

CHARACTERISTICS	SYMBOL	TEST CONDITION	MIN	MAX	UNIT
Reference Input Voltage	V _{REF}	V _{KA} =V _{REF} , I _{KA} =10mA			
		TL431	2.44	2.55	V
		TL431A	2.44	2.48	V
		TL431B	2.47	2.53	V
TL431C	2.52	2.55	V		
Reference Input Current	I _{REF}	I _{KA} = 10mA, R ₁ =10KΩ, R ₂ = ∞		4.0	μA
Minimum Cathode Current for Regulation	I _{KA (MIN)}	V _{KA} =V _{REF}		1.0	mA
Off Stage Cathode Current	I _{KA (OFF)}	V _{KA} =36V, V _{REF} =0		1.0	μA

TL431

TO-92
Plastic Package

TO-92 Plastic Package



- PIN
1. REFERENCE
2. ANODE
3. CATHODE

ALL DIMENSIONS ARE IN M.M.