

# DATA SHEET

## **PCF85xxC-2 family** 256 to 1024 × 8-bit CMOS EEPROMs with I<sup>2</sup>C-bus interface

Product specification  
File under Integrated Circuits, IC12

1997 Feb 13

## 256 to 1024 × 8-bit CMOS EEPROMs with I<sup>2</sup>C-bus interface

## PCF85xxC-2 family

<b>CONTENTS</b>			
1	FEATURES	9	LIMITING VALUES
2	GENERAL DESCRIPTION	10	CHARACTERISTICS
3	QUICK REFERENCE DATA	11	I <sup>2</sup> C-BUS CHARACTERISTICS
4	ORDERING INFORMATION	12	WRITE CYCLE LIMITS
5	DEVICE SELECTION	13	EXTERNAL CLOCK TIMING
6	BLOCK DIAGRAM	14	PACKAGE OUTLINES
7	PINNING	15	SOLDERING
7.1	Pin description PCF8582C-2	15.1	Introduction
7.2	Pin description PCF8594C-2	15.2	DIP
7.3	Pin description PCF8598C-2	15.2.1	Soldering by dipping or by wave
8	I <sup>2</sup> C-BUS PROTOCOL	15.2.2	Repairing soldered joints
8.1	Bus conditions	15.3	SO
8.2	Data transfer	15.3.1	Reflow soldering
8.3	Device addressing	15.3.2	Wave soldering
8.4	Write operations	15.3.3	Repairing soldered joints
8.4.1	Byte/word write	16	DEFINITIONS
8.4.2	Page write	17	LIFE SUPPORT APPLICATIONS
8.4.3	Remark	18	PURCHASE OF PHILIPS I <sup>2</sup> C COMPONENTS
8.5	Read operations		
8.5.1	Remark		



## 256 to 1024 × 8-bit CMOS EEPROMs with I<sup>2</sup>C-bus interface

## PCF85xxC-2 family

### 1 FEATURES

- Low power CMOS:
  - maximum operating current:
    - 2.0 mA (PCF8582C-2)
    - 2.5 mA (PCF8594C-2)
    - 4.0 mA (PCF8598C-2)
  - maximum standby current 10 µA (at 6.0 V), typical 4 µA
- Non-volatile storage of:
  - 2 kbits organized as 256 × 8-bit (PCF8582C-2)
  - 4 kbits organized as 512 × 8-bit (PCF8594C-2)
  - 8 kbits organized as 1024 × 8-bit (PCF8598C-2)
- Single supply with full operation down to 2.5 V
- On-chip voltage multiplier
- Serial input/output I<sup>2</sup>C-bus
- Write operations:
  - byte write mode
  - 8-byte page write mode (minimizes total write time per byte)
- Read operations:
  - sequential read
  - random read
- Internal timer for writing (no external components)
- Power-on-reset

- High reliability by using a redundant storage code
- Endurance: 1 000 000 Erase/Write (E/W) cycles at T<sub>amb</sub> = 22 °C
- 10 years non-volatile data retention time
- Pin and address compatible to: PCF8570, PCF8571, PCF8572 and PCF8581.

### 2 GENERAL DESCRIPTION

The PCF85xxC-2 is a family of floating gate Electrically Erasable Programmable Read Only Memories (EEPROMs) with 2, 4 and 8 kbits (256, 512 and 1024 × 8-bit). By using an internal redundant storage code it is fault tolerant to single bit errors. This feature dramatically increases the reliability compared to conventional EEPROMs. Power consumption is low due to the full CMOS technology used. The programming voltage is generated on-chip, using a voltage multiplier.

As data bytes are received and transmitted via the serial I<sup>2</sup>C-bus, a package using eight pins is sufficient. Up to eight PCF85xxC-2 devices may be connected to the I<sup>2</sup>C-bus. Chip select is accomplished by three address inputs (A0, A1 and A2).

Timing of the E/W cycle is carried out internally, thus no external components are required. Pin 7 (PTC) must be connected to either V<sub>DD</sub> or left open-circuit. There is an option of using an external clock for timing the length of an E/W cycle.

### 3 QUICK REFERENCE DATA

SYMBOL	PARAMETER	CONDITIONS	MIN.	MAX.	UNIT
V <sub>DD</sub>	supply voltage		2.5	6.0	V
I <sub>DDR</sub>	supply current read	f <sub>SCL</sub> = 100 kHz V <sub>DD</sub> = 2.5 V V <sub>DD</sub> = 6 V	– –	60 200	µA µA
I <sub>DDW</sub>	supply current E/W PCF8582C-2  PCF8594C-2  PCF8598C-2	f <sub>SCL</sub> = 100 kHz V <sub>DD</sub> = 2.5 V V <sub>DD</sub> = 6 V V <sub>DD</sub> = 2.5 V V <sub>DD</sub> = 6 V V <sub>DD</sub> = 2.5 V V <sub>DD</sub> = 6 V	– – – – – –	0.6 2.0 0.8 2.5 1.0 4.0	mA mA mA mA mA mA
I <sub>DD(stb)</sub>	standby supply current	V <sub>DD</sub> = 2.5 V V <sub>DD</sub> = 6 V	– –	3.5 10	µA µA

## 256 to 1024 × 8-bit CMOS EEPROMs with I<sup>2</sup>C-bus interface

## PCF85xxC-2 family

### 4 ORDERING INFORMATION

TYPE NUMBER	PACKAGE		
	NAME	DESCRIPTION	VERSION
PCF8582C-2P	DIP8	plastic dual in-line package; 8 leads (300 mil)	SOT97-1
PCF8594C-2P			
PCF8598C-2P			
PCF8582C-2T	SO8	plastic small outline package; 8 leads (straight); body width 3.9 mm	SOT96-1
PCF8594C-2T			
PCF8598C-2T	SO8	plastic small outline package; 8 leads; body width 7.5 mm	SOT176-1

### 5 DEVICE SELECTION

**Table 1** Device selection code

SELECTION	DEVICE CODE				CHIP ENABLE			R/ $\bar{W}$
Bit	b7 <sup>(1)</sup>	b6	b5	b4	b3	b2	b1	b0
Device	1	0	1	0	A2	A1	A0	R/ $\bar{W}$

#### Note

- The Most Significant Bit (MSB) 'b7' is sent first.

# 256 to 1024 × 8-bit CMOS EEPROMs with I<sup>2</sup>C-bus interface

## PCF85xxC-2 family

### 6 BLOCK DIAGRAM

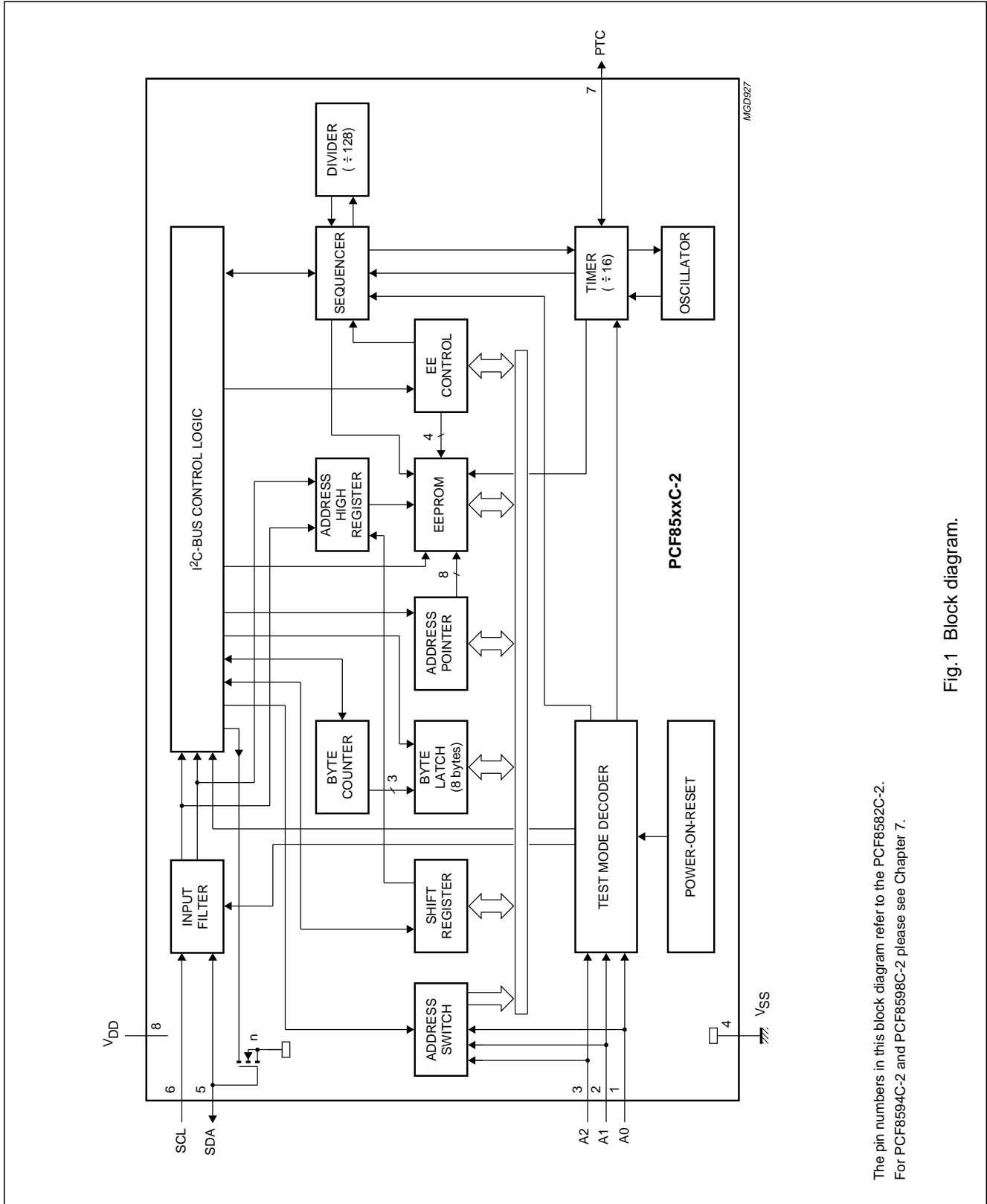


Fig.1 Block diagram.

The pin numbers in this block diagram refer to the PCF8582C-2. For PCF8594C-2 and PCF8598C-2 please see Chapter 7.

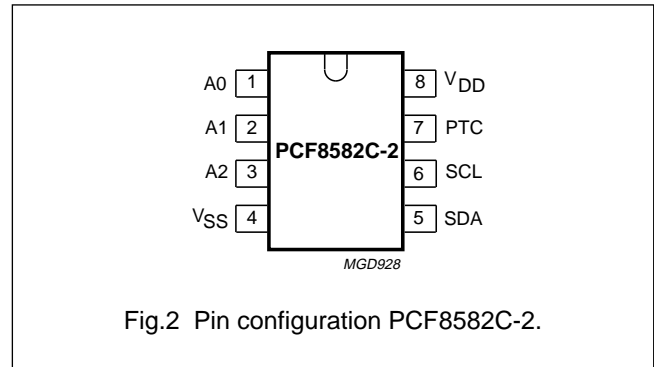
# 256 to 1024 × 8-bit CMOS EEPROMs with I<sup>2</sup>C-bus interface

## PCF85xxC-2 family

### 7 PINNING

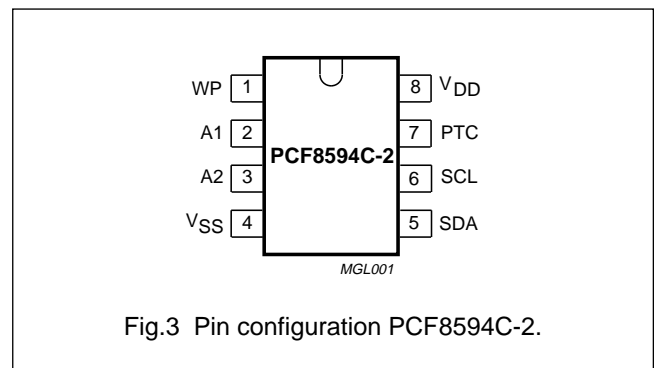
#### 7.1 Pin description PCF8582C-2

SYMBOL	PIN	DESCRIPTION
A0	1	address input 0
A1	2	address input 1
A2	3	address input 2
V <sub>SS</sub>	4	negative supply voltage
SDA	5	serial data input/output (I <sup>2</sup> C-bus)
SCL	6	serial clock input (I <sup>2</sup> C-bus)
PTC	7	programming time control output
V <sub>DD</sub>	8	positive supply voltage



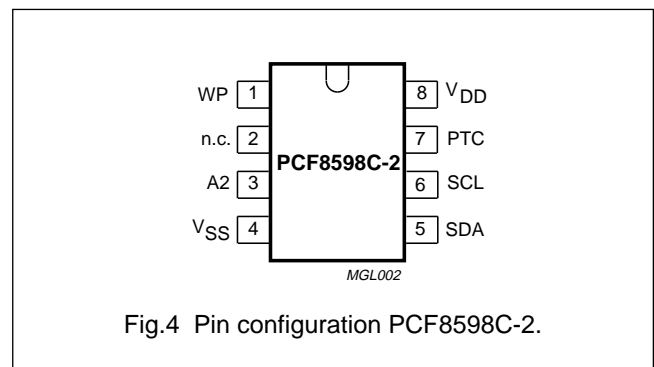
#### 7.2 Pin description PCF8594C-2

SYMBOL	PIN	DESCRIPTION
WP	1	write-protection input
A1	2	address input 1
A2	3	address input 2
V <sub>SS</sub>	4	negative supply voltage
SDA	5	serial data input/output (I <sup>2</sup> C-bus)
SCL	6	serial clock input (I <sup>2</sup> C-bus)
PTC	7	programming time control output
V <sub>DD</sub>	8	positive supply voltage



#### 7.3 Pin description PCF8598C-2

SYMBOL	PIN	DESCRIPTION
WP	1	write-protection input
n.c.	2	not connected
A2	3	address input 2
V <sub>SS</sub>	4	negative supply voltage
SDA	5	serial data input/output (I <sup>2</sup> C-bus)
SCL	6	serial clock input (I <sup>2</sup> C-bus)
PTC	7	programming time control output
V <sub>DD</sub>	8	positive supply voltage



## 256 to 1024 × 8-bit CMOS EEPROMs with I<sup>2</sup>C-bus interface

## PCF85xxC-2 family

### 8 I<sup>2</sup>C-BUS PROTOCOL

The I<sup>2</sup>C-bus is for 2-way, 2-line communication between different ICs or modules. The serial bus consists of two bidirectional lines: one for data signals (SDA), and one for clock signals (SCL).

Both the SDA and SCL lines must be connected to a positive supply voltage via a pull-up resistor.

The following protocol has been defined:

- Data transfer may be initiated only when the bus is not busy.
- During data transfer, the data line must remain stable whenever the clock line is HIGH. Changes in the data line while the clock line is HIGH will be interpreted as control signals.

#### 8.1 Bus conditions

The following bus conditions have been defined:

- **Bus not busy:** both data and clock lines remain HIGH.
- **Start data transfer:** a change in the state of the data line, from HIGH-to-LOW, while the clock is HIGH, defines the START condition.
- **Stop data transfer:** a change in the state of the data line, from LOW-to-HIGH, while the clock is HIGH, defines the STOP condition.
- **Data valid:** the state of the data line represents valid data when, after a START condition, the data line is stable for the duration of the HIGH period of the clock signal. There is one clock pulse per bit of data.

#### 8.2 Data transfer

Each data transfer is initiated with a START condition and terminated with a STOP condition. The number of the data bytes, transferred between the START and STOP conditions is limited to 7 bytes in the E/W mode and 8 bytes in the page E/W mode.

Data transfer is unlimited in the read mode.

The information is transmitted in bytes and each receiver acknowledges with a ninth bit.

Within the I<sup>2</sup>C-bus specifications a low-speed mode (2 kHz clock rate) and a high speed mode (100 kHz clock rate) are defined. The PCF85xxC-2 operates in both modes.

By definition a device that sends a signal is called a 'transmitter', and the device which receives the signal is called a 'receiver'. The device which controls the signal is called the 'master'. The devices that are controlled by the master are called 'slaves'.

Each byte is followed by one acknowledge bit. This acknowledge bit is a HIGH level, put on the bus by the transmitter. The master generates an extra acknowledge related clock pulse. The slave receiver which is addressed is obliged to generate an acknowledge after the reception of each byte.

The master receiver must generate an acknowledge after the reception of each byte that has been clocked out of the slave transmitter.

The device that acknowledges has to pull down the SDA line during the acknowledge clock pulse in such a way that the SDA line is stable LOW during the HIGH period of the acknowledge related clock pulse.

Set-up and hold times must be taken into account.

A master receiver must signal an end of data to the slave transmitter by not generating an acknowledge on the last byte that has been clocked out of the slave. In this event the transmitter must leave the data line HIGH to enable the master generation of the STOP condition.

## 256 to 1024 × 8-bit CMOS EEPROMs with I<sup>2</sup>C-bus interface

## PCF85xxC-2 family

### 8.3 Device addressing

Following a START condition the bus master must output the address of the slave it is accessing. The 4 MSBs of the slave address are the device type identifier (see Fig.5). For the PCF85xxC-2 this is fixed to '1010'.

The next three significant bits address a particular device or memory page (page = 256 bytes of memory). A system could have up to eight PCF8582C-2 (or four PCF8594C-2 containing two memory pages each or two PCF8598C-2 containing four memory pages each, respectively) devices on the bus. The eight addresses are defined by the state of the A0, A1 and A2 inputs.

The last bit of the slave address defines the operation to be performed. When set to logic 1 a read operation is selected.

Address bits must be connected to either V<sub>DD</sub> or V<sub>SS</sub>.

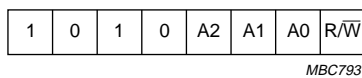


Fig.5 Slave address.

### 8.4 Write operations

#### 8.4.1 BYTE/WORD WRITE

For a write operation the PCF85xxC-2 requires a second address field. This address field is a word address providing access to the 256 words of memory. Upon receipt of the word address the PCF85xxC-2 responds with an acknowledge and awaits the next eight bits of data, again responding with an acknowledge. Word address is automatically incremented. The master can now terminate the transfer by generating a STOP condition or transmit up to six more bytes of data and then terminate by generating a STOP condition.

After this STOP condition the E/W cycle starts and the bus is free for another transmission. Its duration is 10 ms per byte.

During the E/W cycle the slave receiver does not send an acknowledge bit if addressed via the I<sup>2</sup>C-bus.

#### 8.4.2 PAGE WRITE

The PCF85xxC-2 is capable of an eight-byte page write operation. It is initiated in the same manner as the byte write operation. The master can transmit eight data bytes within one transmission. After receipt of each byte the PCF85xxC-2 will respond with an acknowledge.

The typical E/W time in this mode is  $9 \times 3.5 \text{ ms} = 31.5 \text{ ms}$ . Erasing a block of 8 bytes in page mode takes typical 3.5 ms and sequential writing of these 8 bytes another typical 28 ms.

After the receipt of each data byte the three low order bits of the word address are internally incremented. The high order five bits of the address remain unchanged. The slave acknowledges the reception of each data byte with an ACK. The I<sup>2</sup>C-bus data transfer is terminated by the master after the 8th byte with a STOP condition. If the master transmits more than eight bytes prior to generating the STOP condition, no acknowledge will be given on the ninth (and following) data bytes and the whole transmission will be ignored and no programming will be done. As in the byte write operation, all inputs are disabled until completion of the internal write cycles.

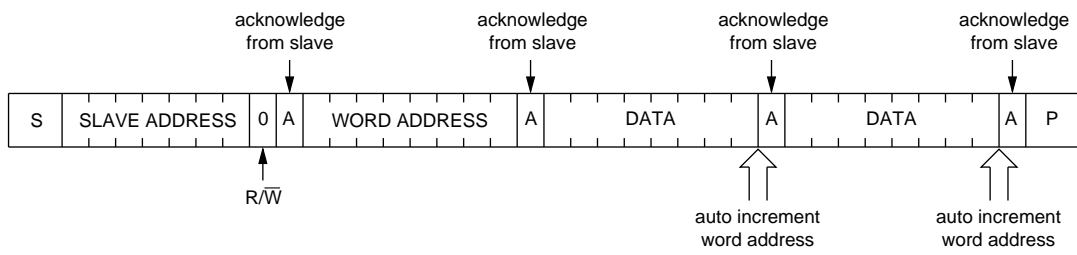
#### 8.4.3 REMARK

A write to the EEPROM is always performed if the pin WP is LOW (not on PCF8582C-2). If WP is HIGH, then the upper half of the EEPROM is write-protected and no acknowledge will be given by the PCF85xxC-2 when one of the upper 256 EEPROM bytes (PCF8594C-2) or 512 EEPROM bytes (PCF8598C-2) is addressed. However, an acknowledge will be given after the slave address and the word address.



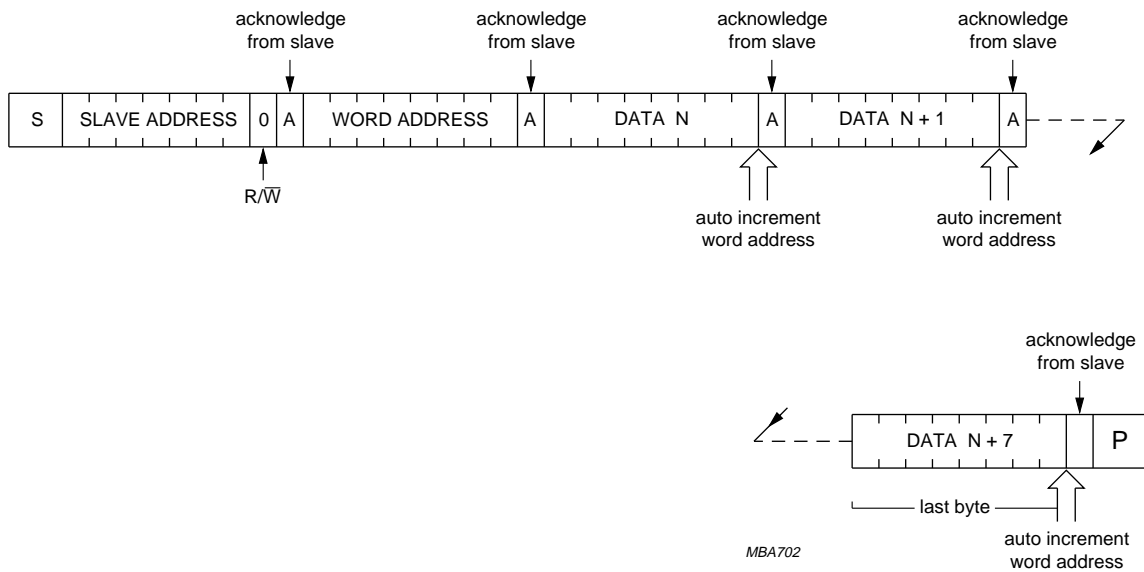
256 to 1024 × 8-bit CMOS EEPROMs with I<sup>2</sup>C-bus interface

PCF85xxC-2 family



MBA701

Fig.6 Auto increment memory word address; two byte write.



MBA702

Fig.7 Page write operation; eight bytes.

256 to 1024 × 8-bit CMOS EEPROMs with I<sup>2</sup>C-bus interface

PCF85xxC-2 family

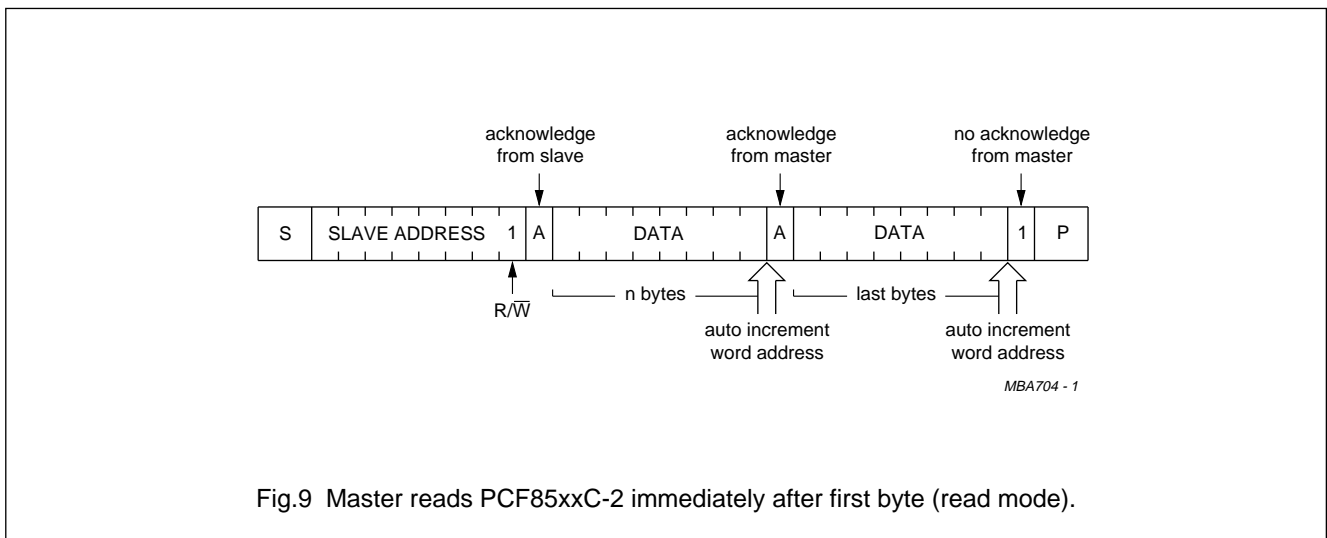
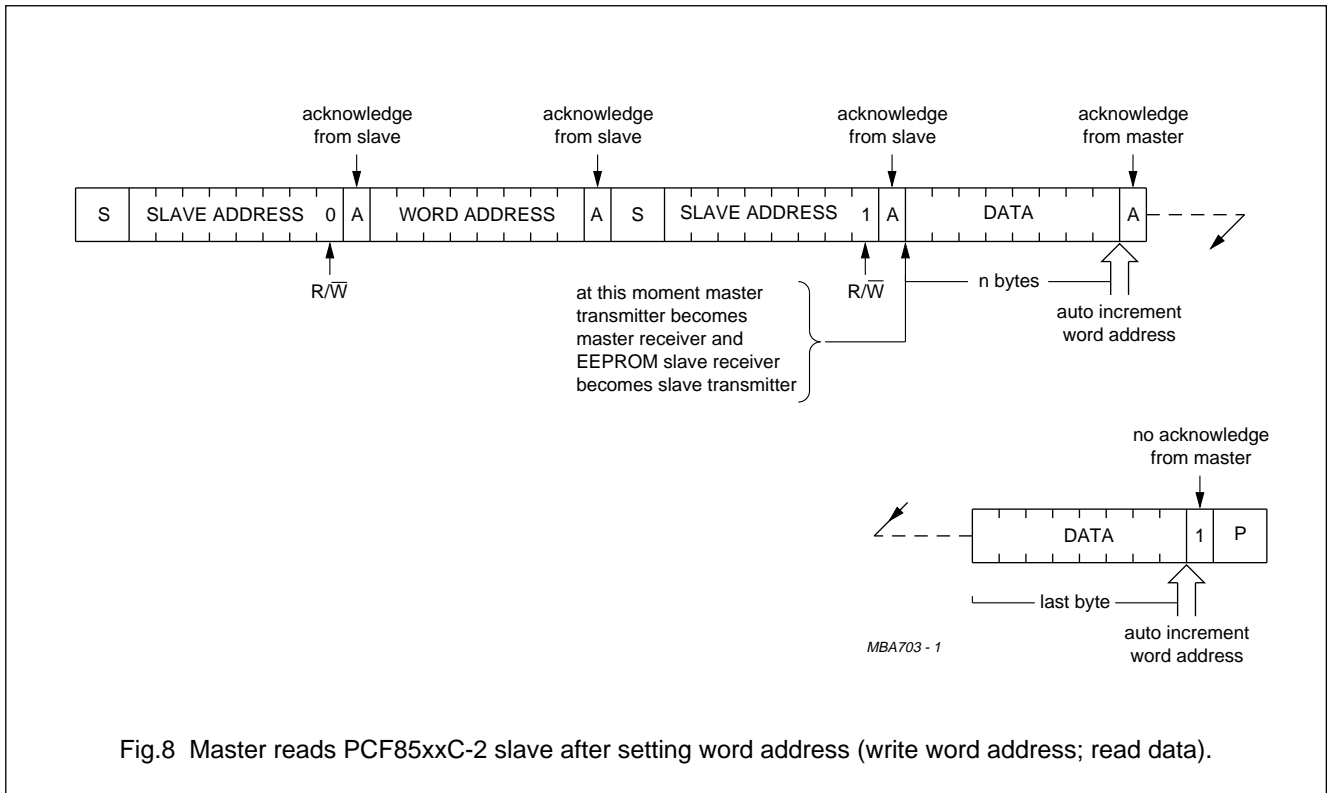
8.5 Read operations

Read operations are initiated in the same manner as write operations with the exception that the LSB of the slave address is set to logic 1.

There are three basic read operations; current address read, random read and sequential read sequential read.

8.5.1 REMARK

The lower 8 bits of the word address are incremented after each transmission of a data byte (read or write). The MSB of the word address, which is defined in the slave address, is not changed when the word address count overflows. Thus, the word address overflows from 255 to 0 and from 511 to 256.



## 256 to 1024 × 8-bit CMOS EEPROMs with I<sup>2</sup>C-bus interface

## PCF85xxC-2 family

### 9 LIMITING VALUES

In accordance with the Absolute Maximum Rating System (IEC 134).

SYMBOL	PARAMETER	CONDITIONS	MIN.	MAX.	UNIT
V <sub>DD</sub>	supply voltage		-0.3	+6.5	V
V <sub>I</sub>	input voltage on any input pin	Z <sub>i</sub>   > 500 Ω	V <sub>SS</sub> - 0.8	+6.5	V
I <sub>I</sub>	input current on any input pin		-	1	mA
I <sub>O</sub>	output current		-	10	mA
T <sub>stg</sub>	storage temperature		-65	+150	°C
T <sub>amb</sub>	operating ambient temperature		-40	+85	°C

### 10 CHARACTERISTICS

V<sub>DD</sub> = 2.5 to 6.0 V; V<sub>SS</sub> = 0 V; T<sub>amb</sub> = -40 to +85 °C; unless otherwise specified.

SYMBOL	PARAMETER	CONDITIONS	MIN.	MAX.	UNIT
<b>Supplies</b>					
V <sub>DD</sub>	supply voltage		2.5	6.0	V
I <sub>DDR</sub>	supply current read	f <sub>SCL</sub> = 100 kHz V <sub>DD</sub> = 2.5 V	-	60	μA
		V <sub>DD</sub> = 6.0 V	-	200	μA
I <sub>DDW</sub>	supply current E/W PCF8582C-2	f <sub>SCL</sub> = 100 kHz V <sub>DD</sub> = 2.5 V	-	0.6	mA
		V <sub>DD</sub> = 6.0 V	-	2.0	mA
	PCF8594C-2	V <sub>DD</sub> = 2.5 V	-	0.8	mA
		V <sub>DD</sub> = 6.0 V	-	2.5	mA
	PCF8598C-2	V <sub>DD</sub> = 2.5 V	-	1.0	mA
		V <sub>DD</sub> = 6.0 V	-	4.0	mA
I <sub>DD(stb)</sub>	standby supply current	V <sub>DD</sub> = 2.5 V	-	3.5	μA
		V <sub>DD</sub> = 6.0 V	-	10	μA
<b>PTC output (pin 7)</b>					
V <sub>IL</sub>	LOW level input voltage		-0.8	0.1V <sub>DD</sub>	V
V <sub>IH</sub>	HIGH level input voltage		0.9V <sub>DD</sub>	V <sub>DD</sub> + 0.8	V
<b>SCL input (pin 6)</b>					
V <sub>IL</sub>	LOW level input voltage		-0.8	0.3V <sub>DD</sub>	V
V <sub>IH</sub>	HIGH level input voltage		0.7V <sub>DD</sub>	+6.5	V
I <sub>LI</sub>	input leakage current	V <sub>I</sub> = V <sub>DD</sub> or V <sub>SS</sub>	-	±1	μA
f <sub>SCL</sub>	clock input frequency		0	100	kHz
C <sub>I</sub>	input capacitance	V <sub>I</sub> = V <sub>SS</sub>	-	7	pF

256 to 1024 × 8-bit CMOS EEPROMs with  
I<sup>2</sup>C-bus interface

## PCF85xxC-2 family

SYMBOL	PARAMETER	CONDITIONS	MIN.	MAX.	UNIT
<b>SDA input/output (pin 5)</b>					
V <sub>IL</sub>	LOW level input voltage		-0.8	0.3V <sub>DD</sub>	V
V <sub>IH</sub>	HIGH level input voltage		0.7V <sub>DD</sub>	+6.5	V
V <sub>OL</sub>	LOW level output voltage	I <sub>OL</sub> = 3 mA; V <sub>DD(min)</sub>	-	0.4	V
I <sub>LO</sub>	output leakage current	V <sub>OH</sub> = V <sub>DD</sub>	-	1	μA
C <sub>I</sub>	input capacitance	V <sub>I</sub> = V <sub>SS</sub>	-	7	pF
<b>Data retention time</b>					
t <sub>S</sub>	data retention time	T <sub>amb</sub> = 55 °C	10	-	years

**11 I<sup>2</sup>C-BUS CHARACTERISTICS**

All of the timing values are valid within the operating supply voltage and ambient temperature range and refer to V<sub>IL</sub> and V<sub>IH</sub> with an input voltage swing from V<sub>SS</sub> to V<sub>DD</sub>; see Fig.10.

SYMBOL	PARAMETER	CONDITIONS	MIN.	MAX.	UNIT
f <sub>SCL</sub>	clock frequency		0	100	kHz
t <sub>BUF</sub>	bus free time between a STOP and START condition		4.7	-	μs
t <sub>HD;STA</sub>	START condition hold time after which first clock pulse is generated		4.0	-	μs
t <sub>LOW</sub>	LOW level clock period		4.7	-	μs
t <sub>HIGH</sub>	HIGH level clock period		4.0	-	μs
t <sub>SU;STA</sub>	set-up time for START condition	repeated start	4.7	-	μs
t <sub>HD;DAT</sub>	data hold time for bus compatible masters for bus devices		5	-	μs
		note 1	0	-	ns
t <sub>SU;DAT</sub>	data set-up time		250	-	ns
t <sub>r</sub>	SDA and SCL rise time		-	1	μs
t <sub>f</sub>	SDA and SCL fall time		-	300	ns
t <sub>SU;STO</sub>	set-up time for STOP condition		4.0	-	μs

**Note**

- The hold time required (not greater than 300 ns) to bridge the undefined region of the falling edge of SCL must be internally provided by a transmitter.

256 to 1024 × 8-bit CMOS EEPROMs with I<sup>2</sup>C-bus interface

PCF85xxC-2 family

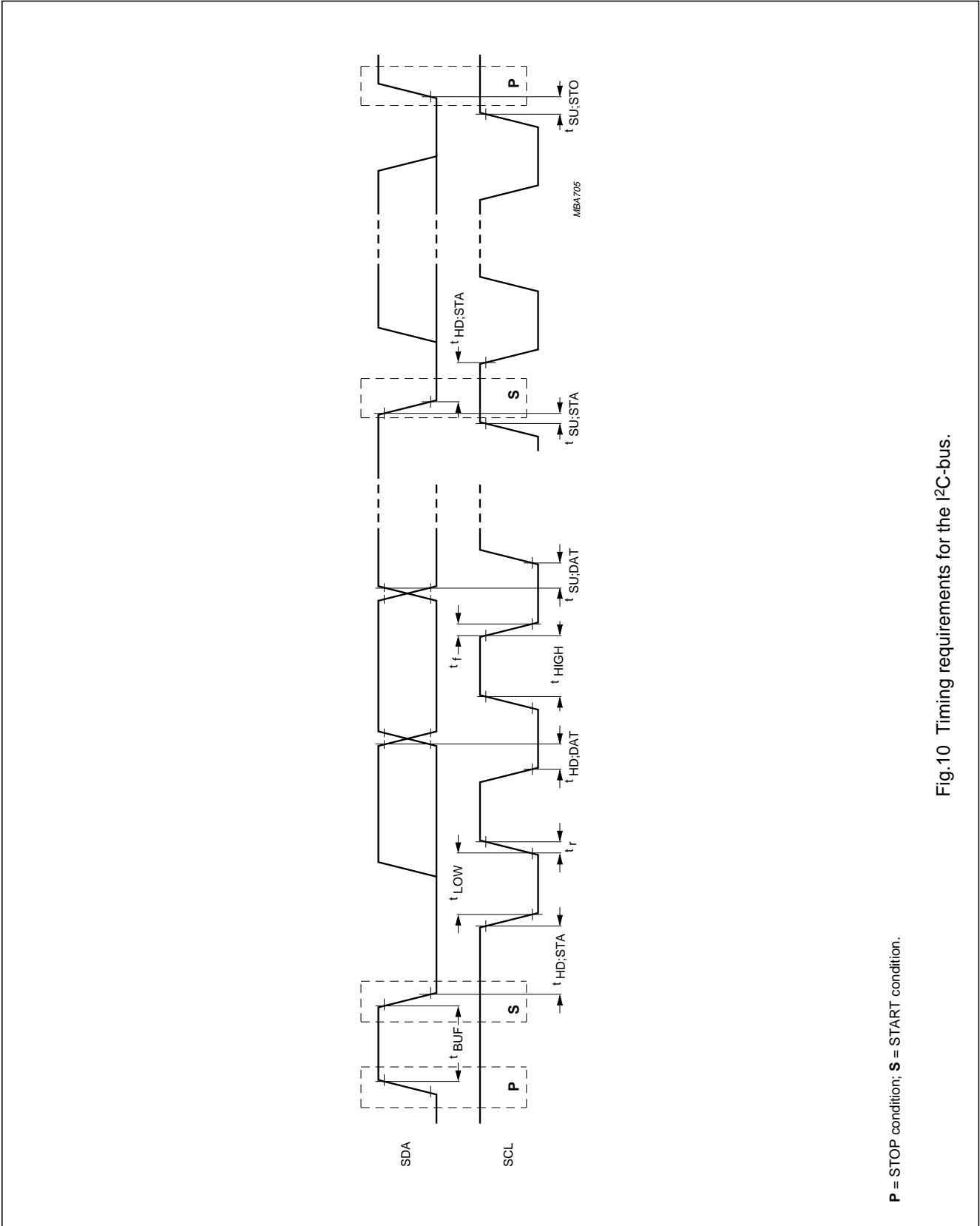


Fig.10 Timing requirements for the I<sup>2</sup>C-bus.

P = STOP condition; S = START condition.

256 to 1024 × 8-bit CMOS EEPROMs with I<sup>2</sup>C-bus interface

PCF85xxC-2 family

12 WRITE CYCLE LIMITS

Selection of the chip address is achieved by connecting the A0, A1 and A2 inputs to either V<sub>SS</sub> or V<sub>DD</sub>.

SYMBOL	PARAMETER	CONDITIONS	MIN.	TYP.	MAX.	UNIT
<b>E/W cycle timing</b>						
t <sub>E/W</sub>	E/W cycle time	internal oscillator	–	7	–	ms
		external clock	4	–	10	ms
<b>Endurance</b>						
N <sub>E/W</sub>	E/W cycle per byte	T <sub>amb</sub> = –40 to +85 °C	100000	–	–	cycles
		T <sub>amb</sub> = 22 °C	–	1000000	–	cycles

13 EXTERNAL CLOCK TIMING

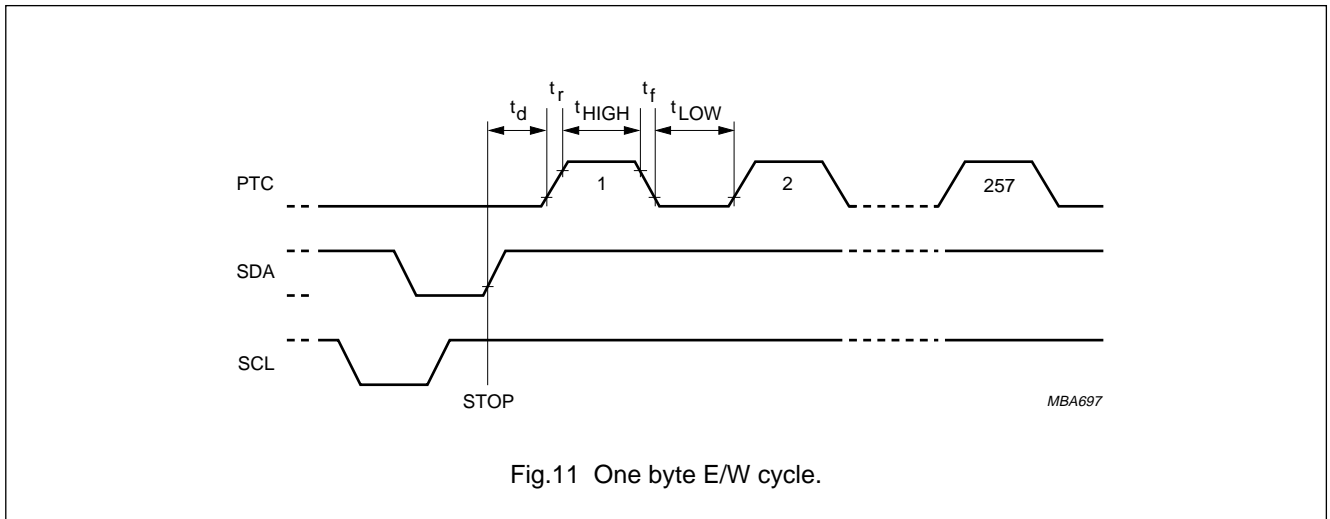


Fig.11 One byte E/W cycle.

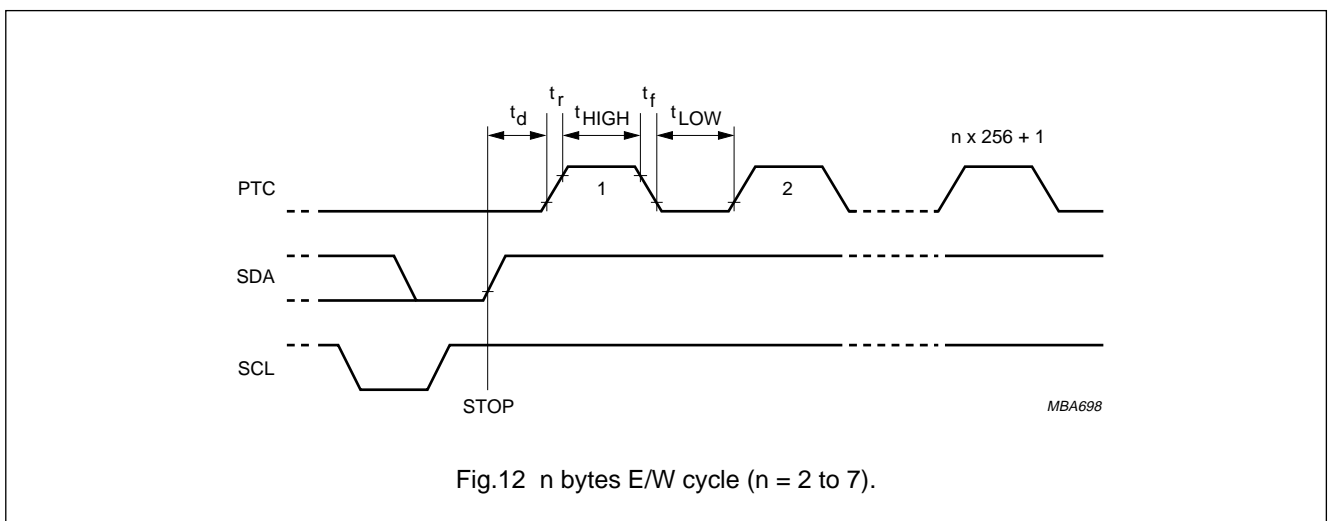


Fig.12 n bytes E/W cycle (n = 2 to 7).

256 to 1024 × 8-bit CMOS EEPROMs with I<sup>2</sup>C-bus interface

PCF85xxC-2 family

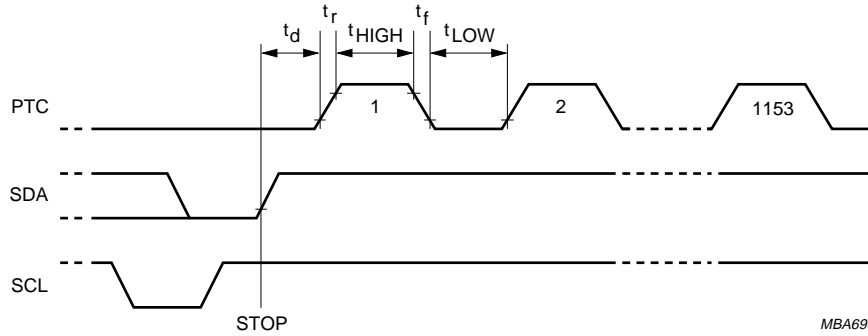
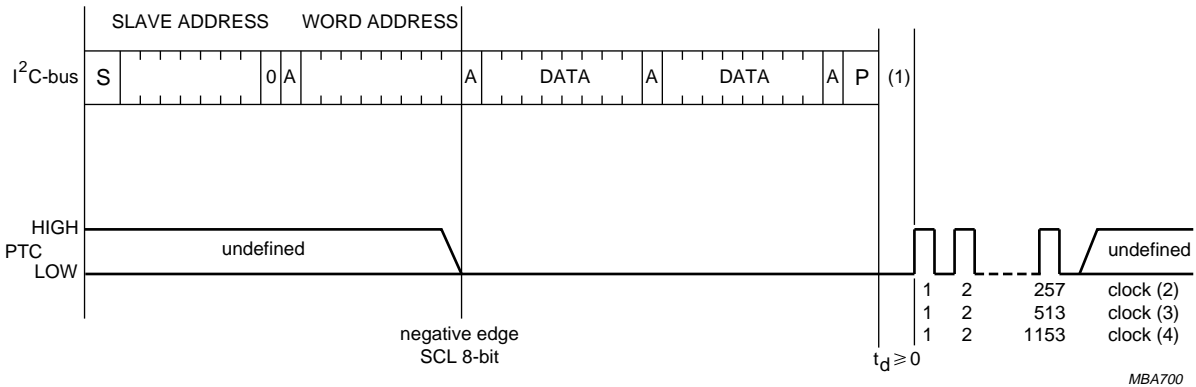


Fig.13 Page mode.



- (1) If an external clock is chosen, this information is latched internally by setting pin 7 (PTC) LOW after transmission of the eighth bits of the word address (negative edge of SCL). Thus the state of pin 7 may be previously undefined. Leaving pin 7 LOW causes a higher standby current.
- (2) 1-byte programming.
- (3) 2-byte programming.
- (4) One page (8 bytes) programming.

Fig.14 External clock.

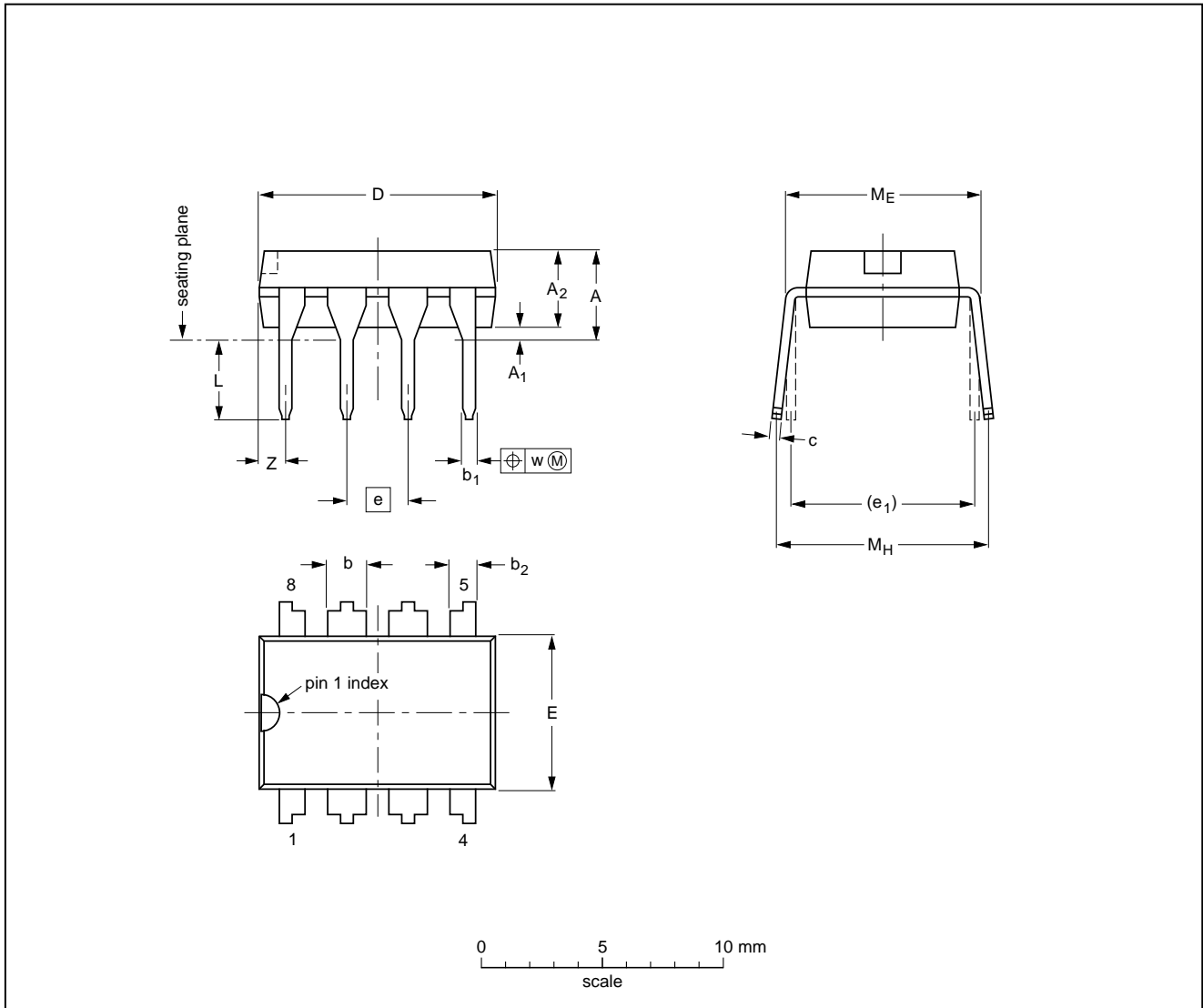
256 to 1024 × 8-bit CMOS EEPROMs with I<sup>2</sup>C-bus interface

PCF85xxC-2 family

14 PACKAGE OUTLINES

DIP8: plastic dual in-line package; 8 leads (300 mil)

SOT97-1



DIMENSIONS (inch dimensions are derived from the original mm dimensions)

UNIT	A max.	A <sub>1</sub> min.	A <sub>2</sub> max.	b	b <sub>1</sub>	b <sub>2</sub>	c	D <sup>(1)</sup>	E <sup>(1)</sup>	e	e <sub>1</sub>	L	M <sub>E</sub>	M <sub>H</sub>	w	Z <sup>(1)</sup> max.
mm	4.2	0.51	3.2	1.73 1.14	0.53 0.38	1.07 0.89	0.36 0.23	9.8 9.2	6.48 6.20	2.54	7.62	3.60 3.05	8.25 7.80	10.0 8.3	0.254	1.15
inches	0.17	0.020	0.13	0.068 0.045	0.021 0.015	0.042 0.035	0.014 0.009	0.39 0.36	0.26 0.24	0.10	0.30	0.14 0.12	0.32 0.31	0.39 0.33	0.01	0.045

Note

1. Plastic or metal protrusions of 0.25 mm maximum per side are not included.

OUTLINE VERSION	REFERENCES				EUROPEAN PROJECTION	ISSUE DATE
	IEC	JEDEC	EIAJ			
SOT97-1	050G01	MO-001AN				92-11-17 95-02-04

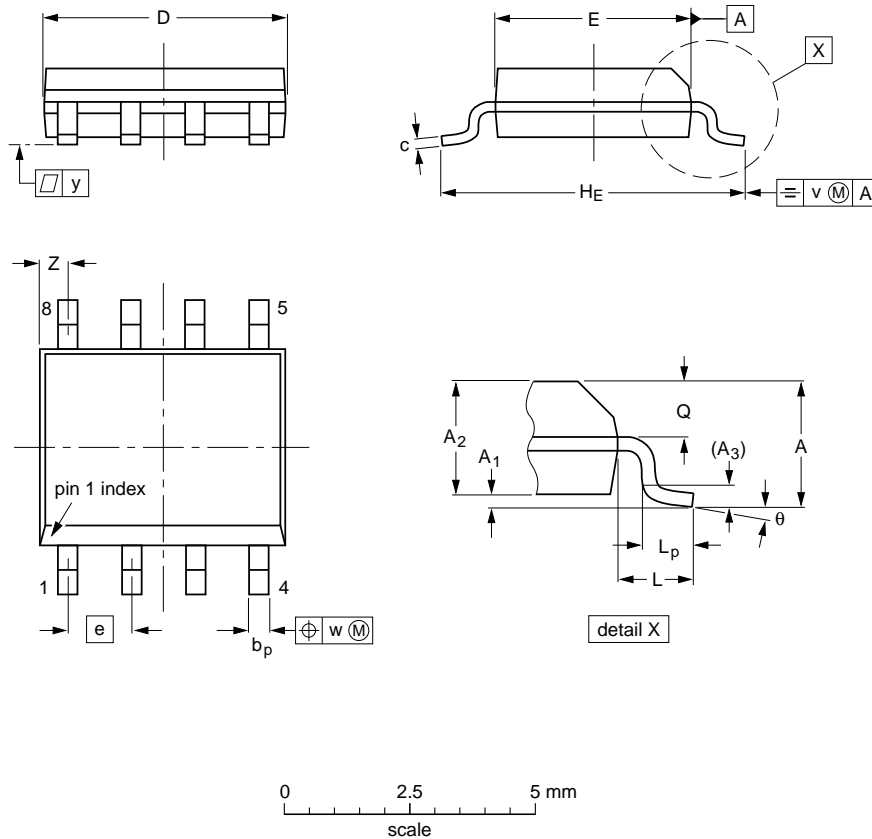


256 to 1024 × 8-bit CMOS EEPROMs with I<sup>2</sup>C-bus interface

PCF85xxC-2 family

S08: plastic small outline package; 8 leads; body width 3.9 mm

SOT96-1



DIMENSIONS (inch dimensions are derived from the original mm dimensions)

UNIT	A max.	A <sub>1</sub>	A <sub>2</sub>	A <sub>3</sub>	b <sub>p</sub>	c	D <sup>(1)</sup>	E <sup>(2)</sup>	e	H <sub>E</sub>	L	L <sub>p</sub>	Q	v	w	y	z <sup>(1)</sup>	θ
mm	1.75	0.25 0.10	1.45 1.25	0.25	0.49 0.36	0.25 0.19	5.0 4.8	4.0 3.8	1.27	6.2 5.8	1.05	1.0 0.4	0.7 0.6	0.25	0.25	0.1	0.7 0.3	8° 0°
inches	0.069	0.0098 0.0039	0.057 0.049	0.01	0.019 0.014	0.0098 0.0075	0.20 0.19	0.16 0.15	0.050	0.24 0.23	0.041	0.039 0.016	0.028 0.024	0.01	0.01	0.004	0.028 0.012	

Notes

1. Plastic or metal protrusions of 0.15 mm maximum per side are not included.
2. Plastic or metal protrusions of 0.25 mm maximum per side are not included.

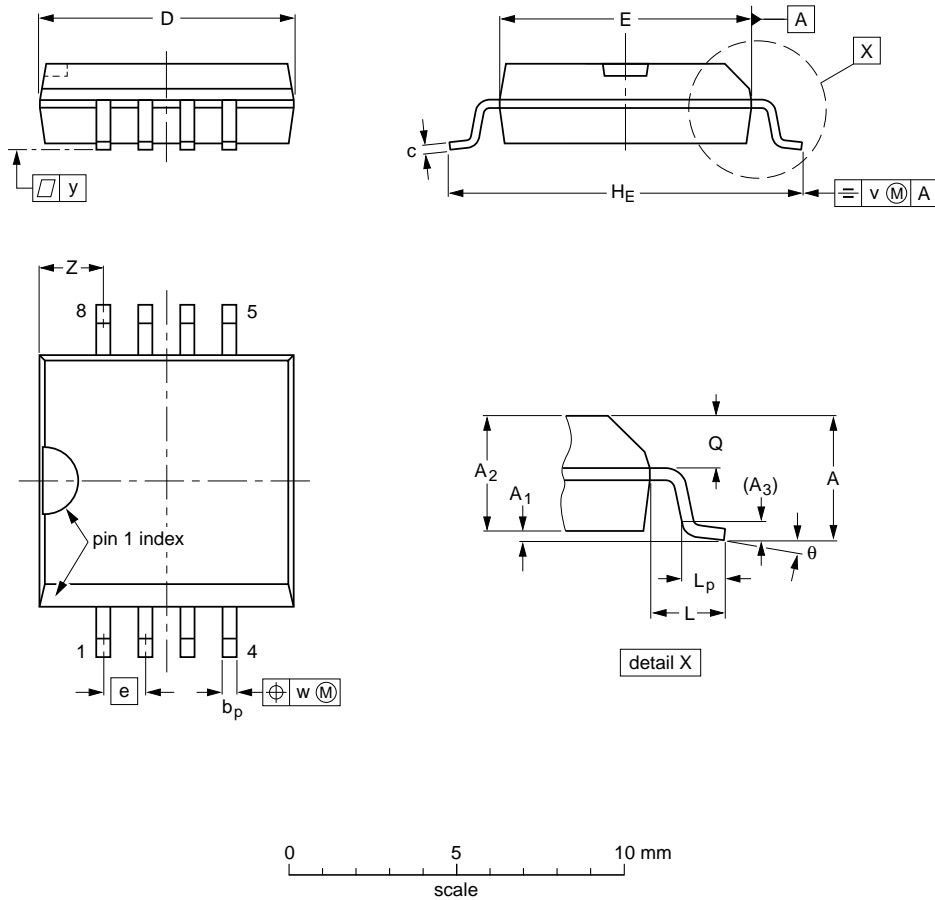
OUTLINE VERSION	REFERENCES			EUROPEAN PROJECTION	ISSUE DATE
	IEC	JEDEC	EIAJ		
SOT96-1	076E03S	MS-012AA			92-11-17 95-02-04

256 to 1024 × 8-bit CMOS EEPROMs with I<sup>2</sup>C-bus interface

PCF85xxC-2 family

SO8: plastic small outline package; 8 leads; body width 7.5 mm

SOT176-1



DIMENSIONS (inch dimensions are derived from the original mm dimensions)

UNIT	A max.	A <sub>1</sub>	A <sub>2</sub>	A <sub>3</sub>	b <sub>p</sub>	c	D <sup>(1)</sup>	E <sup>(1)</sup>	e	H <sub>E</sub>	L	L <sub>p</sub>	Q	v	w	y	z <sup>(1)</sup>	θ
mm	2.65	0.3 0.1	2.45 2.25	0.25	0.49 0.36	0.32 0.23	7.65 7.45	7.6 7.4	1.27	10.65 10.00	1.45	1.1 0.45	1.1 1.0	0.25	0.25	0.1	2.0 1.8	8° 0°
inches	0.10	0.012 0.004	0.096 0.089	0.01	0.019 0.014	0.013 0.009	0.30 0.29	0.30 0.29	0.050	0.42 0.39	0.057	0.043 0.018	0.043 0.039	0.01	0.01	0.004	0.079 0.071	

Note

1. Plastic or metal protrusions of 0.15 mm maximum per side are not included.

OUTLINE VERSION	REFERENCES			EUROPEAN PROJECTION	ISSUE DATE
	IEC	JEDEC	EIAJ		
SOT176-1					91-08-13 95-02-25

## 256 to 1024 × 8-bit CMOS EEPROMs with I<sup>2</sup>C-bus interface

## PCF85xxC-2 family

### 15 SOLDERING

#### 15.1 Introduction

There is no soldering method that is ideal for all IC packages. Wave soldering is often preferred when through-hole and surface mounted components are mixed on one printed-circuit board. However, wave soldering is not always suitable for surface mounted ICs, or for printed-circuits with high population densities. In these situations reflow soldering is often used.

This text gives a very brief insight to a complex technology. A more in-depth account of soldering ICs can be found in our *"IC Package Databook"* (order code 9398 652 90011).

#### 15.2 DIP

##### 15.2.1 SOLDERING BY DIPPING OR BY WAVE

The maximum permissible temperature of the solder is 260 °C; solder at this temperature must not be in contact with the joint for more than 5 seconds. The total contact time of successive solder waves must not exceed 5 seconds.

The device may be mounted up to the seating plane, but the temperature of the plastic body must not exceed the specified maximum storage temperature ( $T_{stg\ max}$ ). If the printed-circuit board has been pre-heated, forced cooling may be necessary immediately after soldering to keep the temperature within the permissible limit.

##### 15.2.2 REPAIRING SOLDERED JOINTS

Apply a low voltage soldering iron (less than 24 V) to the lead(s) of the package, below the seating plane or not more than 2 mm above it. If the temperature of the soldering iron bit is less than 300 °C it may remain in contact for up to 10 seconds. If the bit temperature is between 300 and 400 °C, contact may be up to 5 seconds.

#### 15.3 SO

##### 15.3.1 REFLOW SOLDERING

Reflow soldering techniques are suitable for all SO packages.

Reflow soldering requires solder paste (a suspension of fine solder particles, flux and binding agent) to be applied to the printed-circuit board by screen printing, stencilling or pressure-syringe dispensing before package placement.

Several techniques exist for reflowing; for example, thermal conduction by heated belt. Dwell times vary between 50 and 300 seconds depending on heating method. Typical reflow temperatures range from 215 to 250 °C.

Preheating is necessary to dry the paste and evaporate the binding agent. Preheating duration: 45 minutes at 45 °C.

##### 15.3.2 WAVE SOLDERING

Wave soldering techniques can be used for all SO packages if the following conditions are observed:

- A double-wave (a turbulent wave with high upward pressure followed by a smooth laminar wave) soldering technique should be used.
- The longitudinal axis of the package footprint must be parallel to the solder flow.
- The package footprint must incorporate solder thieves at the downstream end.

During placement and before soldering, the package must be fixed with a droplet of adhesive. The adhesive can be applied by screen printing, pin transfer or syringe dispensing. The package can be soldered after the adhesive is cured.

Maximum permissible solder temperature is 260 °C, and maximum duration of package immersion in solder is 10 seconds, if cooled to less than 150 °C within 6 seconds. Typical dwell time is 4 seconds at 250 °C.

A mildly-activated flux will eliminate the need for removal of corrosive residues in most applications.

##### 15.3.3 REPAIRING SOLDERED JOINTS

Fix the component by first soldering two diagonally-opposite end leads. Use only a low voltage soldering iron (less than 24 V) applied to the flat part of the lead. Contact time must be limited to 10 seconds at up to 300 °C. When using a dedicated tool, all other leads can be soldered in one operation within 2 to 5 seconds between 270 and 320 °C.

## 256 to 1024 × 8-bit CMOS EEPROMs with I<sup>2</sup>C-bus interface

## PCF85xxC-2 family

### 16 DEFINITIONS

<b>Data sheet status</b>	
Objective specification	This data sheet contains target or goal specifications for product development.
Preliminary specification	This data sheet contains preliminary data; supplementary data may be published later.
Product specification	This data sheet contains final product specifications.
<b>Limiting values</b>	
Limiting values given are in accordance with the Absolute Maximum Rating System (IEC 134). Stress above one or more of the limiting values may cause permanent damage to the device. These are stress ratings only and operation of the device at these or at any other conditions above those given in the Characteristics sections of the specification is not implied. Exposure to limiting values for extended periods may affect device reliability.	
<b>Application information</b>	
Where application information is given, it is advisory and does not form part of the specification.	

### 17 LIFE SUPPORT APPLICATIONS

These products are not designed for use in life support appliances, devices, or systems where malfunction of these products can reasonably be expected to result in personal injury. Philips customers using or selling these products for use in such applications do so at their own risk and agree to fully indemnify Philips for any damages resulting from such improper use or sale.

### 18 PURCHASE OF PHILIPS I<sup>2</sup>C COMPONENTS



Purchase of Philips I<sup>2</sup>C components conveys a license under the Philips' I<sup>2</sup>C patent to use the components in the I<sup>2</sup>C system provided the system conforms to the I<sup>2</sup>C specification defined by Philips. This specification can be ordered using the code 9398 393 40011.

---

256 to 1024 × 8-bit CMOS EEPROMs with  
I<sup>2</sup>C-bus interface

---

PCF85xxC-2 family

**NOTES**

---

256 to 1024 × 8-bit CMOS EEPROMs with  
I<sup>2</sup>C-bus interface

---

PCF85xxC-2 family

**NOTES**

---

256 to 1024 × 8-bit CMOS EEPROMs with  
I<sup>2</sup>C-bus interface

---

PCF85xxC-2 family

**NOTES**

# Philips Semiconductors – a worldwide company

**Argentina:** see South America

**Australia:** 34 Waterloo Road, NORTH RYDE, NSW 2113,  
Tel. +61 2 9805 4455, Fax. +61 2 9805 4466

**Austria:** Computerstr. 6, A-1101 WIEN, P.O. Box 213,  
Tel. +43 1 60 101, Fax. +43 1 60 101 1210

**Belarus:** Hotel Minsk Business Center, Bld. 3, r. 1211, Volodarski Str. 6,  
220050 MINSK, Tel. +375 172 200 733, Fax. +375 172 200 773

**Belgium:** see The Netherlands

**Brazil:** see South America

**Bulgaria:** Philips Bulgaria Ltd., Energoproject, 15th floor,  
51 James Bourchier Blvd., 1407 SOFIA,  
Tel. +359 2 689 211, Fax. +359 2 689 102

**Canada:** PHILIPS SEMICONDUCTORS/COMPONENTS,  
Tel. +1 800 234 7381

**China/Hong Kong:** 501 Hong Kong Industrial Technology Centre,  
72 Tat Chee Avenue, Kowloon Tong, HONG KONG,  
Tel. +852 2319 7888, Fax. +852 2319 7700

**Colombia:** see South America

**Czech Republic:** see Austria

**Denmark:** Prags Boulevard 80, PB 1919, DK-2300 COPENHAGEN S,  
Tel. +45 32 88 2636, Fax. +45 31 57 1949

**Finland:** Sinikalliontie 3, FIN-02630 ESPOO,  
Tel. +358 9 615800, Fax. +358 9 61580/xxx

**France:** 4 Rue du Port-aux-Vins, BP317, 92156 SURESNES Cedex,  
Tel. +33 1 40 99 6161, Fax. +33 1 40 99 6427

**Germany:** Hammerbrookstraße 69, D-20097 HAMBURG,  
Tel. +49 40 23 53 60, Fax. +49 40 23 536 300

**Greece:** No. 15, 25th March Street, GR 17778 TAVROS/ATHENS,  
Tel. +30 1 4894 339/239, Fax. +30 1 4814 240

**Hungary:** see Austria

**India:** Philips INDIA Ltd, Shivsagar Estate, A Block, Dr. Annie Besant Rd.  
Worli, MUMBAI 400 018, Tel. +91 22 4938 541, Fax. +91 22 4938 722

**Indonesia:** see Singapore

**Ireland:** Newstead, Clonskeagh, DUBLIN 14,  
Tel. +353 1 7640 000, Fax. +353 1 7640 200

**Israel:** RAPAC Electronics, 7 Kehilat Saloniki St, TEL AVIV 61180,  
Tel. +972 3 645 0444, Fax. +972 3 649 1007

**Italy:** PHILIPS SEMICONDUCTORS, Piazza IV Novembre 3,  
20124 MILANO, Tel. +39 2 6752 2531, Fax. +39 2 6752 2557

**Japan:** Philips Bldg 13-37, Kohnan 2-chome, Minato-ku, TOKYO 108,  
Tel. +81 3 3740 5130, Fax. +81 3 3740 5077

**Korea:** Philips House, 260-199 Itaewon-dong, Yongsan-ku, SEOUL,  
Tel. +82 2 709 1412, Fax. +82 2 709 1415

**Malaysia:** No. 76 Jalan Universiti, 46200 PETALING JAYA, SELANGOR,  
Tel. +60 3 750 5214, Fax. +60 3 757 4880

**Mexico:** 5900 Gateway East, Suite 200, EL PASO, TEXAS 79905,  
Tel. +9-5 800 234 7381

**Middle East:** see Italy

**Netherlands:** Postbus 90050, 5600 PB EINDHOVEN, Bldg. VB,  
Tel. +31 40 27 82785, Fax. +31 40 27 88399

**New Zealand:** 2 Wagener Place, C.P.O. Box 1041, AUCKLAND,  
Tel. +64 9 849 4160, Fax. +64 9 849 7811

**Norway:** Box 1, Manglerud 0612, OSLO,  
Tel. +47 22 74 8000, Fax. +47 22 74 8341

**Philippines:** Philips Semiconductors Philippines Inc.,  
106 Valero St. Salcedo Village, P.O. Box 2108 MCC, MAKATI,  
Metro MANILA, Tel. +63 2 816 6380, Fax. +63 2 817 3474

**Poland:** Ul. Lukiska 10, PL 04-123 WARSZAWA,  
Tel. +48 22 612 2831, Fax. +48 22 612 2327

**Portugal:** see Spain

**Romania:** see Italy

**Russia:** Philips Russia, Ul. Usatcheva 35A, 119048 MOSCOW,  
Tel. +7 095 755 6918, Fax. +7 095 755 6919

**Singapore:** Lorong 1, Toa Payoh, SINGAPORE 1231,  
Tel. +65 350 2538, Fax. +65 251 6500

**Slovakia:** see Austria

**Slovenia:** see Italy

**South Africa:** S.A. PHILIPS Pty Ltd., 195-215 Main Road Martindale,  
2092 JOHANNESBURG, P.O. Box 7430 Johannesburg 2000,  
Tel. +27 11 470 5911, Fax. +27 11 470 5494

**South America:** Rua do Rocio 220, 5th floor, Suite 51,  
04552-903 São Paulo, SÃO PAULO - SP, Brazil,  
Tel. +55 11 821 2333, Fax. +55 11 829 1849

**Spain:** Balmes 22, 08007 BARCELONA,  
Tel. +34 3 301 6312, Fax. +34 3 301 4107

**Sweden:** Kottbygatan 7, Akalla, S-16485 STOCKHOLM,  
Tel. +46 8 632 2000, Fax. +46 8 632 2745

**Switzerland:** Allmendstrasse 140, CH-8027 ZÜRICH,  
Tel. +41 1 488 2686, Fax. +41 1 481 7730

**Taiwan:** Philips Semiconductors, 6F, No. 96, Chien Kuo N. Rd., Sec. 1,  
TAIPEI, Taiwan Tel. +886 2 2134 2870, Fax. +886 2 2134 2874

**Thailand:** PHILIPS ELECTRONICS (THAILAND) Ltd.,  
209/2 Sanpavuth-Bangna Road Prakanong, BANGKOK 10260,  
Tel. +66 2 745 4090, Fax. +66 2 398 0793

**Turkey:** Talatpasa Cad. No. 5, 80640 GÜLTEPE/ISTANBUL,  
Tel. +90 212 279 2770, Fax. +90 212 282 6707

**Ukraine:** PHILIPS UKRAINE, 4 Patrice Lumumba str., Building B, Floor 7,  
252042 KIEV, Tel. +380 44 264 2776, Fax. +380 44 268 0461

**United Kingdom:** Philips Semiconductors Ltd., 276 Bath Road, Hayes,  
MIDDLESEX UB3 5BX, Tel. +44 181 730 5000, Fax. +44 181 754 8421

**United States:** 811 East Arques Avenue, SUNNYVALE, CA 94088-3409,  
Tel. +1 800 234 7381

**Uruguay:** see South America

**Vietnam:** see Singapore

**Yugoslavia:** PHILIPS, Trg N. Pasica 5/v, 11000 BEOGRAD,  
Tel. +381 11 625 344, Fax. +381 11 635 777

**For all other countries apply to:** Philips Semiconductors, Marketing & Sales Communications,  
Building BE-p, P.O. Box 218, 5600 MD EINDHOVEN, The Netherlands, Fax. +31 40 27 24825

**Internet:** <http://www.semiconductors.philips.com>

© Philips Electronics N.V. 1997

SCA53

All rights are reserved. Reproduction in whole or in part is prohibited without the prior written consent of the copyright owner.

The information presented in this document does not form part of any quotation or contract, is believed to be accurate and reliable and may be changed without notice. No liability will be accepted by the publisher for any consequence of its use. Publication thereof does not convey nor imply any license under patent- or other industrial or intellectual property rights.

Printed in The Netherlands

417067/1200/01/pp24

Date of release: 1997 Feb 13

Document order number: 9397 750 01773

*Let's make things better.*

**Philips  
Semiconductors**



**PHILIPS**