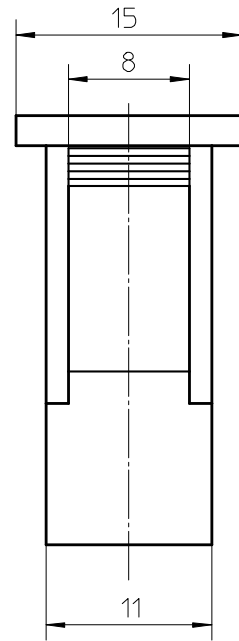
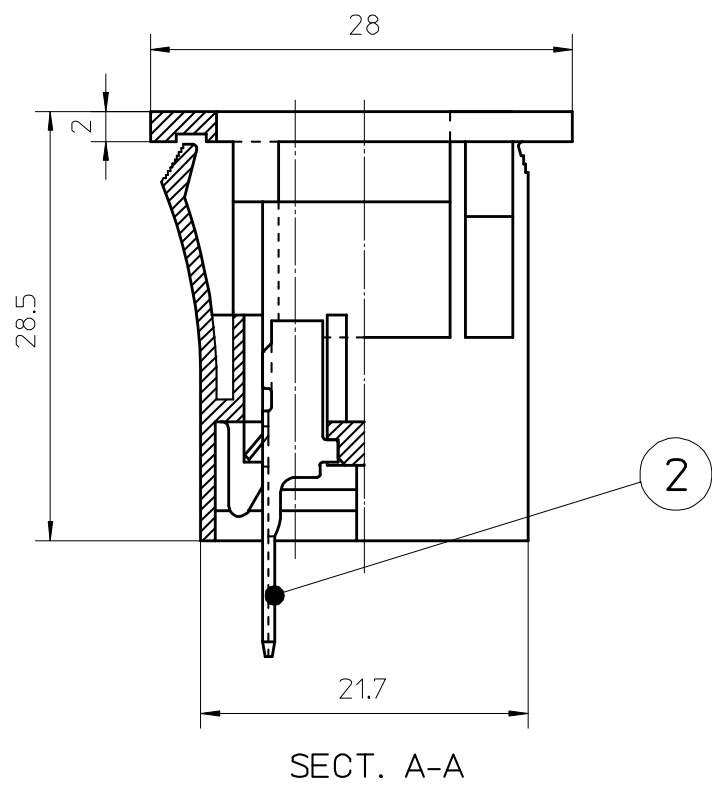
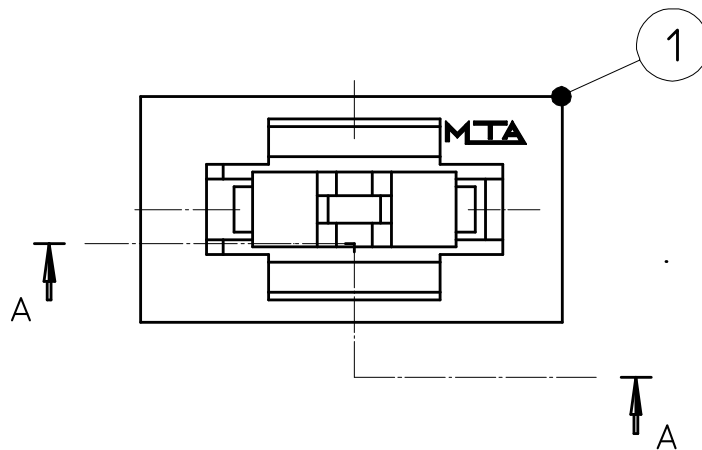
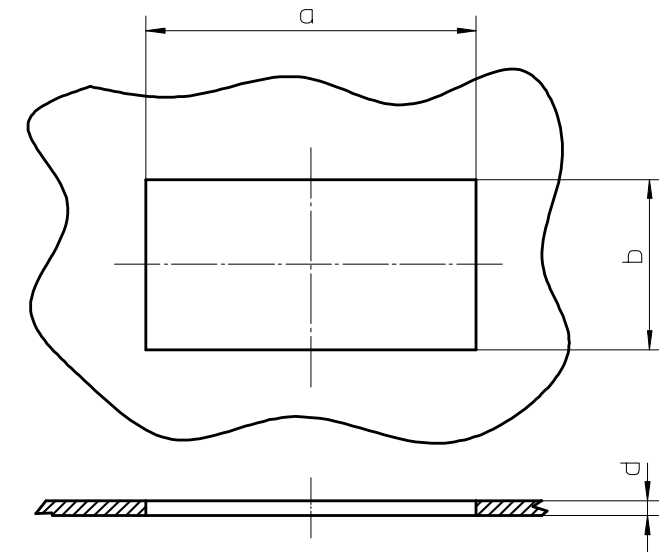


All proprietary rights reserved by MECCANOTECNICA CODOGNESE S.p.A. - This drawing shall not be reproduced, or in any way utilized, for the manufacture of the component or unit herein illustrated and must not be released to other parties, without written consent. Any infringement will be legally pursued.



FUSEHOLDER HOUSING DIMENSIONS



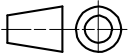
d	a	b
0.8	21.9	$11.3 \begin{smallmatrix} +0.3 \\ -0 \end{smallmatrix}$
1.0	22.0	
1.5	22.1	
2.0	22.2	



OPERATING FEATURES

FEATURE	UNIT	VALUE
V max	V	32 *
T. min - T. max	°C	-40 / +100
IP	IEC 529	20
I Continuous	A	20

* 96V FUSE HOLDER ONLY

2	2	TERMINAL	CuSn - Tin Plated			
1	1	BODY	PA 66-GF25 - BLACK COLOR			
Pos.	Q.ty	DENOMINATION		MATERIAL		
		 MTA auto electric systems		MTA P/N	03.00330	Denom. FUSE HOLDER UNIVAL INSERTABLE
				Draw No.	B0-100.E10A	Used for
Rel. Level		APPROVED		Draw for	CLIENT	Family FUSE HOLDERS ONE WAY
		Date	Name	Scale	Weight(g)	Lin.Tol.±
		15/11/2004	S.BEDUSCHI	2:1		0.5
		30/11/2004	R.GONZALEZ			1
		30/11/2004	M.CORBANI			1
		  Dimensions in (mm)		Sheet	1/1	
				Material	SEE TABLE	
				Coating		
				Color	BLACK	

No.	Reason for Revision	Date	Name