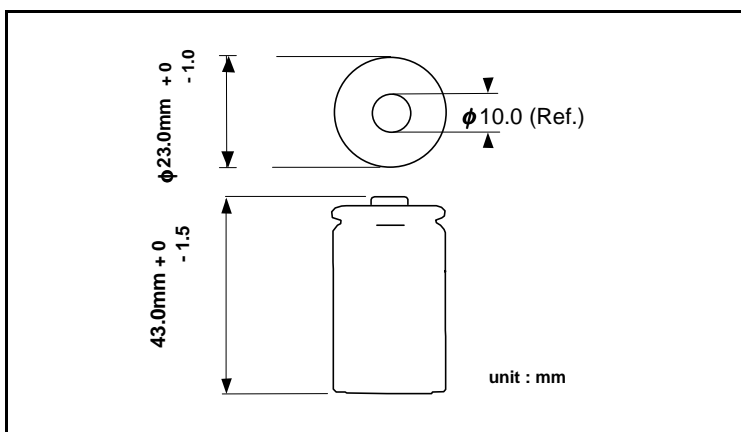


GP Batteries

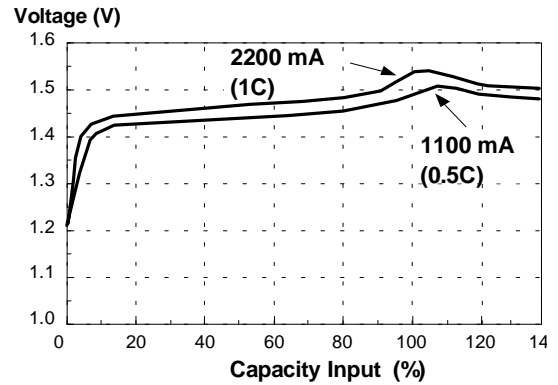
Data Sheet

Model No.: GP220SCH

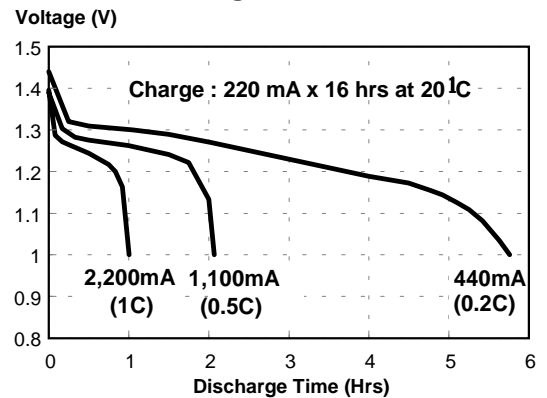
| | | |
|---------------------------------|---|---|
| Type | : Rechargeable Nickel Metal Hydride Cylindrical Cell | |
| Nominal Dimension (with Sleeve) | : $\varnothing = 23.0\text{mm}$ H = 43.0mm | |
| Application | : Discharge current 220mA to 29A (Continuous) 58A (Momentary) | |
| Nominal Voltage | : 1.2V | |
| Nominal Capacity | : Minimum : 2200mAh Typical : 2420mAh when discharged at 440mA to 1.0V at 20°C | |
| Charging Condition | : 220mA for 16 hrs at 20°C | |
| Fast Charge | : 1100mA to 2200mA (0.5C to 1C) with charge termination control. Recommended control parameter : | |
| | - ΔV | : 0-5mV |
| | dT/dt | : 0.8°C/min (0.5C to 0.9C) : 0.8-1°C/min (1C) |
| | TCO | : 45-50°C |
| | Timer | : 105% nominal input (Secondary) |
| Service Life | : > 500 cycles (IEC standard) | |
| Continuous Overcharge | : 220mA maximum current No conspicuous deformation and/or leakage | |
| Weight | : 55.0g | |
| Internal Resistance | : Average 7m Ω upon fully charged (Range : 5-8m Ω) at 1000Hz | |
| Max. Charging Voltage | : 1.5V at 220mA charging | |
| Ambient Temperature Range | Standard Charging | : 0°C to 40°C |
| | Fast Charging | : 10°C to 40°C |
| | Discharging | : -20°C to 50°C |
| | Storage | : -20°C to 35°C |
| | Storage (1 week) | : -20°C to 60°C |



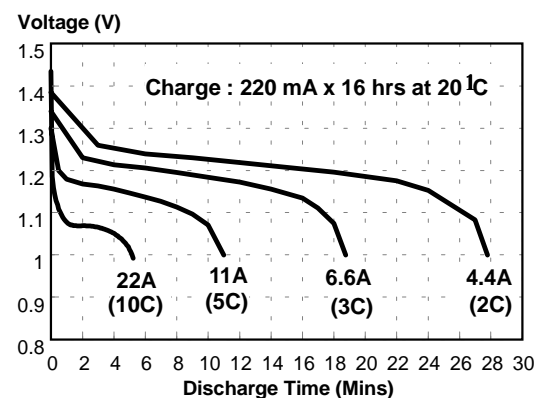
Fast Charge (Charge Control required)



Low Rate Discharge



High Rate Discharge



* The information (subject to change without prior notice) contained in this document is for reference only and should not be used as a basis for product guarantee or warranty. For application other than those described here, please consult GP Sales and Marketing Office or Distributors.