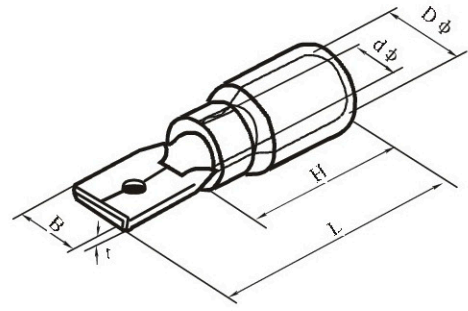


## Insulated Male Disconnects



0.5~1.5mm<sup>2</sup>(22~16) I<sub>max</sub>=10A

ITEM.NO.	MEMA TAB (mm)	Thickness of material (mm)	DIMENSION				
			B (mm)	d φ (mm)	D φ (mm)	L (mm)	H (mm)
MDD1.25-110(8)	0.8×2.8	0.8	2.8	1.70	4.3	17.7	10.0
MDD1.25-187(5)	0.5×4.75	0.5	4.75	1.70	4.3	20.0	
MDD1.25-187(8)	0.8×4.75	0.8	4.75	1.70	4.3	18.5	
MDD1.25-250	0.8×6.35	0.4	6.35	1.70	4.3	21.0	

1.5~2.5mm<sup>2</sup>(16~14) I<sub>max</sub>=15A

ITEM.NO.	MEMA TAB (mm)	Thickness of material (mm)	DIMENSION				
			B (mm)	d φ (mm)	D φ (mm)	L (mm)	H (mm)
MDD2-187(5)	0.5 4.75	0.5	4.75	2.3	4.3	20.0	10.0
MDD2-187(8)	0.8 4.75	0.8	4.75	2.3	4.3	18.5	
MDD2-250	0.8 6.35	0.4	6.35	2.3	4.3	21.0	

4~6mm<sup>2</sup>(12~10) I<sub>max</sub>=24A

ITEM.NO.	MEMA TAB (mm)	Thickness of material (mm)	DIMENSION				
			B (mm)	d φ (mm)	D φ (mm)	L (mm)	H (mm)
MDD5.5-250	0.8 6.35	0.4	6.35	3.4	5.7	25.0	14.0